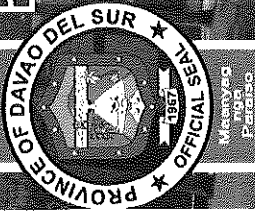


P M O

Republic of the Philippines
PROVINCE OF DAVAO DEL SUR
Office of the Governor

**PROCUREMENT MANAGEMENT OFFICE
BIDS AND AWARDS COMMITTEE**



Mobile Nos. 0905-229-0526/0908-332-2024 (Goods), 0948-768-5848 (Infra)
Telefax: (082) 553-9579

Website: www.davaodelsur.gov.ph/pgo-bac

Email Address: bac.davaodelsur2@gmail.com/spacdavaodelsur@gmail.com

Agri Davao del Sur

BIDDING DOCUMENTS

One Job Order for the IMPROVEMENT OF FARM TO MARKET ROAD (FMR) located at HARADA BUTAI, SULOP, DAVAO DEL SUR

all in accordance to plans, specifications and scope of work and the Green Procurement Policy as adopted by Executive Order No. 30 series of 2019

IB No. C-087-23

**Date of Opening of Bids: July 25, 2023 at 09:00 A.M.
Start Date for Issuance of Bidding Documents: July 6, 2023**

**Sixth Edition
July 2020**

H

TABLE OF CONTENTS

SECTION I.	INVITATION TO BID
SECTION II.	INSTRUCTIONS TO BIDDERS
SECTION III.	BID DATA SHEET
SECTION IV.	GENERAL CONDITIONS OF CONTRACT
SECTION V.	SPECIAL CONDITIONS OF CONTRACT
SECTION VI.	SPECIFICATIONS
SECTION VII.	DRAWINGS
SECTION VIII.	BILL OF QUANTITIES
SECTION IX.	CHECKLIST OF TECHNICAL AND FINANCIAL DOCUMENTS
SECTION X.	OTHER DOCUMENTS

H

SECTION I.

INVITATION TO BID

h

SECTION II.

INSTRUCTION TO BIDDERS

60

Section II. Instructions to Bidders

1. Scope of Bid

The **PROVINCIAL GOVERNMENT OF DAVAO DEL SUR** invites Bids for the **IMPROVEMENT OF FARM TO MARKET ROAD (FMR) located at HARADA BUTAL, SULOP, DAVAO DEL SUR**, with Project Identification Number C-087-23.

The Procurement Project (referred to herein as "**IMPROVEMENT OF FARM TO MARKET ROAD (FMR) located at HARADA BUTAL, SULOP, DAVAO DEL SUR**") is for the construction of Works, as described in Section VI (Specifications).

2. Funding Information

- 2.1. The GOP through the source of funding as indicated below for **CY 2023** in the amount of **₱3,000,000.00**.
- 2.2. The source of funding is **20% DEV'T FUND**:

3. Bidding Requirements

The Bidding for the Project shall be governed by all the provisions of RA No. 9184 and its 2016 revised IRR, including its Generic Procurement Manual and associated policies, rules and regulations as the primary source thereof, while the herein clauses shall serve as the secondary source thereof.

Any amendments made to the IRR and other GPPB issuances shall be applicable only to the ongoing posting, advertisement, or invitation to bid by the BAC through the issuance of a supplemental or bid bulletin.

The Bidder, by the act of submitting its Bid, shall be deemed to have inspected the site, determined the general characteristics of the contracted Works and the conditions for this Project, such as the location and the nature of the work; (b) climatic conditions; (c) transportation facilities; (c) nature and condition of the terrain, geological conditions at the site communication facilities, requirements, location and availability of construction aggregates and other materials, labor, water, electric power and access roads; and (d) other factors that may affect the cost, duration and execution or implementation of the contract, project, or work and examine all instructions, forms, terms, and project requirements in the Bidding Documents.

4. Corrupt, Fraudulent, Collusive, Coercive, and Obstructive Practices

The Procuring Entity, as well as the Bidders and Contractors, shall observe the highest standard of ethics during the procurement and execution of the contract. They or through an agent shall not engage in corrupt, fraudulent, collusive, coercive, and obstructive practices defined under Annex "T" of the 2016 revised IRR of RA No. 9184 or other integrity violations in competing for the Project.

5. Eligible Bidders

- 5.1. Only Bids of Bidders found to be legally, technically, and financially capable will be evaluated.
- 5.2. The Bidder must have an experience of having completed a Single Largest Completed Contract (SLCC) that is similar to this Project, equivalent to at least fifty percent (50%) of the ABC adjusted, if necessary, by the Bidder to current prices using the PSA's CPI,

H

- 5.2. The Bidder must have an experience of having completed a Single Largest Completed Contract (SLCC) that is similar to this Project, equivalent to at least fifty percent (50%) of the ABC adjusted, if necessary, by the Bidder to current prices using the PSA's CPI, except under conditions provided for in Section 23.4.2.4 of the 2016 revised IRR of RA No. 9184.
- A contract is considered to be "similar" to the contract to be bid if it has the major categories of work stated in the **BDS**.
- 5.3. For Foreign-funded Procurement, the Procuring Entity and the foreign government/foreign or international financing institution may agree on another track record requirement, as specified in the Bidding Document prepared for this purpose.
- 5.4. The Bidders shall comply with the eligibility criteria under Section 23.4.2 of the 2016 IRR of RA No. 9184.

6. Origin of Associated Goods

There is no restriction on the origin of Goods other than those prohibited by a decision of the UN Security Council taken under Chapter VII of the Charter of the UN.

7. Subcontracts

- 7.1. **Subcontracting is not allowed.**

8. Pre-Bid Conference

The Procuring Entity will hold a pre-bid conference for this Project on the **July 13, 2023, at 9:00 A.M., Ralota Hall, Gov. Douglas Ra. Cagas Cultural Sports and Business Complex, Barangay Matti, Digos City, Davao del Sur** as indicated in paragraph 6 of the IB.

9. Clarification and Amendment of Bidding Documents

Prospective bidders may request for clarification on and/or interpretation of any part of the Bidding Documents. Such requests must be in writing and received by the Procuring Entity, either at its given address or through electronic mail indicated in the IB, at least ten (10) calendar days before the deadline set for the submission and receipt of Bids.

10. Documents Comprising the Bid: Eligibility and Technical Components

- 10.1. The first envelope shall contain the eligibility and technical documents of the Bid as specified in **Section IX. Checklist of Technical and Financial Documents**.
- 10.2. If the eligibility requirements or statements, the bids, and all other documents for submission to the BAC are in foreign language other than English, it must be accompanied by a translation in English, which shall be authenticated by the appropriate Philippine foreign service establishment, post, or the equivalent office having jurisdiction over the foreign bidder's affairs in the Philippines. For Contracting Parties to the Apostille Convention, only the translated documents shall be authenticated through an apostille pursuant to GPPB Resolution No. 13-2019 dated 23 May 2019. The English translation shall govern, for purposes of interpretation of the bid.
- 10.3. A valid special PCAB License in case of Joint Ventures, and registration for the type and cost of the contract for this Project. Any additional type of Contractor license or permit shall be indicated in the **BDS**.
- 10.4. A List of Contractor's key personnel (e.g., Project Manager, Project Engineers, Materials Engineers, and Foremen) assigned to the contract to be bid, with their

10.5. A List of Contractor's major equipment units, which are owned, leased, and/or under purchase agreements, supported by proof of ownership, certification of availability of equipment from the equipment lessor/vendor for the duration of the project, as the case may be, must meet the minimum requirements for the contract set in the **BDS**.

11. Documents Comprising the Bid: Financial Component

11.1. The second bid envelope shall contain the financial documents for the Bid as specified in **Section IX. Checklist of Technical and Financial Documents**.

11.2. Any bid exceeding the ABC indicated in paragraph 1 of the **IB** shall not be accepted.

11.3. For Foreign-funded procurement, a ceiling may be applied to bid prices provided the conditions are met under Section 31.2 of the 2016 revised IRR of RA No. 9184.

12. Alternative Bids

Bidders shall submit offers that comply with the requirements of the Bidding Documents, including the basic technical design as indicated in the drawings and specifications. Unless there is a value engineering clause in the **BDS**, alternative Bids shall not be accepted.

13. Bid Prices

All bid prices for the given scope of work in the Project as awarded shall be considered as fixed prices, and therefore not subject to price escalation during contract implementation, except under extraordinary circumstances as determined by the NEDA and approved by the GPPB pursuant to the revised Guidelines for Contract Price Escalation guidelines.

14. Bid and Payment Currencies

14.1. Bid prices may be quoted in the local currency or tradeable currency accepted by the BSP at the discretion of the Bidder. However, for purposes of bid evaluation, Bids denominated in foreign currencies shall be converted to Philippine currency based on the exchange rate as published in the BSP reference rate bulletin on the day of the bid opening.

14.2. Payment of the contract price shall be made in: **Philippine Pesos**.

15. Bid Security

15.1. The Bidder shall submit a Bid Securing Declaration or any form of Bid Security in the amount indicated in the **BDS**, which shall be not less than the percentage of the ABC in accordance with the schedule in the **BDS**.

15.2. The Bid and bid security shall be valid for **120 Calendar Days** upon opening of bids. Any bid not accompanied by an acceptable bid security shall be rejected by the Procuring Entity as non-responsive.

16. Sealing and Marking of Bids

Each Bidder shall submit one copy of the first and second components of its Bid.

The Procuring Entity may request additional hard copies and/or electronic copies of the Bid. However, failure of the Bidders to comply with the said request shall not be a ground for disqualification.

If the Procuring Entity allows the submission of bids through online submission to the given website or any other electronic means, the Bidder shall submit an electronic copy of its Bid,

fr

which must be digitally signed. An electronic copy that cannot be opened or is corrupted shall be considered non-responsive and, thus, automatically disqualified.

17. Deadline for Submission of Bids

17.1 Bids must be delivered to the Ralota Hall, Gov. Douglas Ra. Cagas Cultural Sports and Business Complex, Barangay Matti, Digos City, Davao del Sur **on or before July 25, 2023 at 9:00 A.M.** Late bids shall not be accepted. All bids must be accompanied by a bid security in any of the acceptable forms and in the amount stated in ITB Clause 18.

18. Opening and Preliminary Examination of Bids

18.1. The BAC shall open the Bids in public at the time, on the date, and at the place specified in paragraph 9 of the **IB**. The Bidders' representatives who are present shall sign a register evidencing their attendance. In case videoconferencing, webcasting or other similar technologies will be used, attendance of participants shall likewise be recorded by the BAC Secretariat.

In case the Bids cannot be opened as scheduled due to justifiable reasons, the rescheduling requirements under Section 29 of the 2016 revised IRR of RA No. 9184 shall prevail.

18.2. The preliminary examination of Bids shall be governed by Section 30 of the 2016 revised IRR of RA No. 9184.

19. Detailed Evaluation and Comparison of Bids

19.1. The Procuring Entity's BAC shall immediately conduct a detailed evaluation of all Bids rated "*passed*" using non-discretionary pass/fail criteria. The BAC shall consider the conditions in the evaluation of Bids under Section 32.2 of 2016 revised IRR of RA No. 9184.

19.2. If the Project allows partial bids, all Bids and combinations of Bids as indicated in the **BDS** shall be received by the same deadline and opened and evaluated simultaneously so as to determine the Bid or combination of Bids offering the lowest calculated cost to the Procuring Entity. Bid Security as required by **ITB** Clause 15 shall be submitted for each contract (lot) separately.

19.3. In all cases, the NFCC computation pursuant to Section 23.4.2.6 of the 2016 revised IRR of RA No. 9184 must be sufficient for the total of the ABCs for all the lots participated in by the prospective Bidder.

20. Post Qualification

Within a non-extendible period of five (5) calendar days from receipt by the Bidder of the notice from the BAC that it submitted the Lowest Calculated Bid, the Bidder shall submit its latest income and business tax returns filed and paid through the BIR Electronic Filing and Payment System (eFPS), and other appropriate licenses and permits required by law and stated in the **BDS**.

21. Signing of the Contract

The documents required in Section 37.2 of the 2016 revised IRR of RA No. 9184 shall form part of the Contract. Additional Contract documents are indicated in the **BDS**.

46

SECTION III.

BID DATA SHEET

46

Bid Data Sheet

(IB No.: C-087-23)

ITB Clause	
5.2	For this purpose, contracts similar to the Project refer to contracts which have the same major categories of work, which shall be: Roads: Construction or Rehabilitation (based on DPWH DO 14 Series of 2017) Subcontracting is not allowed.
7.1	
10.3	“No further instructions.”
10.4	The key personnel must meet the required minimum years of experience set below: <u>Key Personnel</u> <u>General Experience</u> <u>Relevant Experience</u>
10.5	“No further instructions.” The minimum major equipment requirements are the following: <u>Equipment</u> <u>Capacity</u> <u>Number of Units</u>
12	“No further instructions.” None.
15.1	The bid security shall be in the form of a Bid Securing Declaration or any of the following forms and amounts: a. The amount of not less than P60,000.00 [two percent (2%) of ABC], if bid security is in cash, cashier’s/manager’s check, bank draft/guarantee or irrevocable letter of credit; b. The amount of not less than P150, 000.00 [five percent (5%) of ABC], if bid security is in Surety Bond.
19.2	Partial bid is not allowed. The infrastructure project is packaged in a single lot and the lot shall not be divided into sub-lots for the purpose of bidding, evaluation, and contract award. In all cases, the NFCC computation must be sufficient for the contract to be awarded to the Bidder. <i>Permits and Clearances as required by the End-User.</i>
20	Post-Qualification Requirements: Latest Income Tax Returns, Business Tax Returns for the last 6 months.
21	1. Presentation of the Bidding Documents a. Envelope 1 (Eligibility/ Technical Documents) One (1) ORIGINAL COPY, another copy for COPY 1, and another copy for COPY 2. b. Envelope 2 (Financial Proposal) One (1) ORIGINAL COPY, another copy for COPY 1, and another copy for COPY 2.

tabbed at the right side. Any documents submitted not book bound shall be rejected outright. For the Financial Proposal not exceeding ten (10) pages maybe book bound or securely stapled.

All copies must be properly marked (ORIGINAL COPY, COPY 1 AND COPY 2)

Envelope 1 and Envelope 2 must be properly sealed, and will be placed in one sealed mother envelope.

2. Other documents/materials to comply with other non-discretionary criteria and requirements as stated in the Instruction to Bidders:

- Construction Methods
- Construction schedule and S-Curve
- Pert-CPM
- Manpower Utilization Schedule
- Equipment Utilization Schedule
- Construction Safety & Health Program
- Affidavit of Site Inspection
- Duly Notarized Certification as to compliance to Labor Laws and Standard

The DOLE approved Construction Safety and Health Program is required before entering into Contract.

H

SECTION IV.

**GENERAL CONDITIONS
OF CONTRACT**

H

General Conditions of Contract

1. Scope of Contract

This Contract shall include all such items, although not specifically mentioned, that can be reasonably inferred as being required for its completion as if such items were expressly mentioned herein. All the provisions of RA No. 9184 and its 2016 revised IRR, including the Generic Procurement Manual, and associated issuances, constitute the primary source for the terms and conditions of the Contract, and thus, applicable in contract implementation. Herein clauses shall serve as the secondary source for the terms and conditions of the Contract.

This is without prejudice to Sections 74.1 and 74.2 of the 2016 revised IRR of RA No. 9184 allowing the GPPB to amend the IRR, which shall be applied to all procurement activities, the advertisement, posting, or invitation of which were issued after the effectivity of the said amendment.

2. Sectional Completion of Works

If sectional completion is specified in the Special Conditions of Contract (SCC), references in the Conditions of Contract to the Works, the Completion Date, and the Intended Completion Date shall apply to any Section of the Works (other than references to the Completion Date and Intended Completion Date for the whole of the Works).

3. Possession of Site

3.1 The Procuring Entity shall give possession of all or parts of the Site to the Contractor based on the schedule of delivery indicated in the SCC, which corresponds to the execution of the Works. If the Contractor suffers delay or incurs cost from failure on the part of the Procuring Entity to give possession in accordance with the terms of this clause, the Procuring Entity's Representative shall give the Contractor a Contract Time Extension and certify such sum as fair to cover the cost incurred, which sum shall be paid by Procuring Entity.

3.2 If possession of a portion is not given by the above date, the Procuring Entity will be deemed to have delayed the start of the relevant activities. The resulting adjustments in contract time to address such delay may be addressed through contract extension provided under Annex "E" of the 2016 revised IRR of RA No. 9184.

4. The Contractor's Obligations

The Contractor shall employ the key personnel named in the Schedule of Key Personnel indicating their designation, in accordance with ITB Clause 10.3 and specified in the BDS, to carry out the supervision of the Works.

The Procuring Entity will approve any proposed replacement of key personnel only if their relevant qualifications and abilities are equal to or better than those of the personnel listed in the Schedule.

5. Performance Security

5.1. Within ten (10) calendar days from receipt of the Notice of Award from the Procuring Entity but in no case later than the signing of the contract by both parties, the successful

by

Bidder shall furnish the performance security in any of the forms prescribed in Section 39 of the 2016 revised IRR.

5.2. The Contractor, by entering into the Contract with the Procuring Entity, acknowledges the right of the Procuring Entity to institute action pursuant to RA No. 3688 against any subcontractor be they an individual, firm, partnership, corporation, or association supplying the Contractor with labor, materials and/or equipment for the performance of this Contract.

6. Site Investigations

The Contractor, in preparing the Bid, shall rely on any Site Investigation Reports referred to in the SCC supplemented by any information obtained by the Contractor.

7. Warranty

7.1. In case the Contractor fails to undertake the repair works under Section 62.2.2 of the 2016 revised IRR, the Procuring Entity shall forfeit its performance security, subject its property(ies) to attachment or garnishment proceedings, and perpetually disqualify it from participating in any public bidding. All payables of the GOP in his favor shall be offset to recover the costs.

7.2. The warranty against Structural Defects/Failures, except that occasioned-on force majeure, shall cover the period from the date of issuance of the Certificate of Final Acceptance by the Procuring Entity. Specific duration of the warranty is found in the SCC.

8. Liability of the Contractor

Subject to additional provisions, if any, set forth in the SCC, the Contractor's liability under this Contract shall be as provided by the laws of the Republic of the Philippines.

If the Contractor is a joint venture, all partners to the joint venture shall be jointly and severally liable to the Procuring Entity.

9. Termination for Other Causes

Contract termination shall be initiated in case it is determined prima facie by the Procuring Entity that the Contractor has engaged, before, or during the implementation of the contract, in unlawful deeds and behaviors relative to contract acquisition and implementation, such as, but not limited to corrupt, fraudulent, collusive, coercive, and obstructive practices as stated in ITB Clause 4.

10. Dayworks

Subject to the guidelines on Variation Order in Annex "E" of the 2016 revised IRR of RA No. 9184, and if applicable as indicated in the SCC, the Dayworks rates in the Contractor's Bid shall be used for small additional amounts of work only when the Procuring Entity's Representative has given written instructions in advance for additional work to be paid for in that way.

11. Program of Work

11.1. The Contractor shall submit to the Procuring Entity's Representative for approval the said Program of Work showing the general methods, arrangements, order, and timing for all

H

the activities in the Works. The submissions of the Program of Work are indicated in the SCC.

11.2. The Contractor shall submit to the Procuring Entity's Representative for approval an updated Program of Work at intervals no longer than the period stated in the SCC. If the Contractor does not submit an updated Program of Work within this period, the Procuring Entity's Representative may withhold the amount stated in the SCC from the next payment certificate and continue to withhold this amount until the next payment after the date on which the overdue Program of Work has been submitted.

12. Instructions, Inspections and Audits

The Contractor shall permit the GOP or the Procuring Entity to inspect the Contractor's accounts and records relating to the performance of the Contractor and to have them audited by auditors of the GOP or the Procuring Entity, as may be required.

13. Advance Payment

The Procuring Entity shall, upon a written request of the Contractor which shall be submitted as a Contract document, make an advance payment to the Contractor in an amount not exceeding fifteen percent (15%) of the total contract price, to be made in lump sum, or at the most two installments according to a schedule specified in the SCC, subject to the requirements in Annex "E" of the 2016 revised IRR of RA No. 9184.

14. Progress Payments

The Contractor may submit a request for payment for Work accomplished. Such requests for payment shall be verified and certified by the Procuring Entity's Representative/Project Engineer. Except as otherwise stipulated in the SCC, materials and equipment delivered on the site but not completely put in place shall not be included for payment.

15. Operating and Maintenance Manuals

15.1. If required, the Contractor will provide "as built" Drawings and/or operating and maintenance manuals as specified in the SCC.

15.2. If the Contractor does not provide the Drawings and/or manuals by the dates stated above, or they do not receive the Procuring Entity's Representative's approval, the Procuring Entity's Representative may withhold the amount stated in the SCC from payments due to the Contractor.

h

SECTION V.
SPECIAL CONDITIONS
OF CONTRACT

4

Special Conditions of Contract

GCC Clause	2	<i>The Intended Completion Date is 45 calendar days upon receipt of the Notice to Proceed.</i>
4.1		<i>The Procuring Entity shall give possession in full the parts of the Site to the Contractor upon receipt of the Notice to Proceed.</i>
6		The site investigation reports are: Site Inspection Report
7.2		<i>[In case of semi-permanent structures, such as buildings of types 1, 2, and 3 as classified under the National Building Code of the Philippines, concrete/asphalt roads, concrete river control, drainage, irrigation lined canals, river landing, deep wells, rock causeway, pedestrian overpass, and other similar semi-permanent structures:] Five (5) years.</i>
10		a. Dayworks are applicable at the rate shown in the Contractor's original Bid.
11.1		"No further instruction."
11.2		"No further instruction."
13		The amount of the advance payment shall not exceed Fifteen Percent (15%) of the total contract price to be recouped every progress billing.
14		Materials and equipment delivered on the site but not completely put in place shall not be included for payment.
15.1		"No further instructions."
15.2		The date by which "as built" drawings are required is 15 days prior turn-over and acceptance.
		"No further instructions."

4

SECTION VI.

SPECIFICATIONS

[See attached file.]

4

Name of Project : IMPROVEMENT OF FARM TO MARKET ROAD (FMR)
 Location : HARADA BUTAI, SULOP, DAVAO DEL SUR

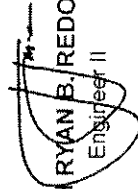
SPECIFICATIONS

<i>Item</i>	<i>Description</i>	<i>Unit</i>	<i>Quantity</i>
B.5	Project Billboard/Signboard	each	2.00 ✓
B.7(1)	Occupational Safety and Health Program	months	1.13 ✓
B.9	Mobilization/Demobilization	L.S.	1.00 ✓
100 (2)	Clearing & Grubbing	L.S.	1.00 ✓
102(2)	Surplus Common Excavation	cu.m.	519.44 ✓
104(1)a	Embankment from Roadway Excavation	cu.m.	56.65 ✓
105(1)a	Subgrade Preparation (Common Material)	sq.m.	1,927.04 ✓
200(1)	Aggregate Subbase Course	cu.m	578.96 ✓
311(1)b1	Portland Cement Concrete Pavement (Unreinforced), 200mm thk.	sq.m.	1,264.63 ✓

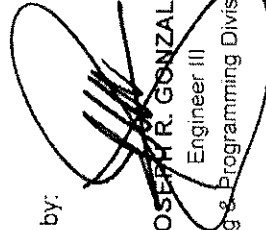
NOTE:

Specifications shall be in accordance with the DPWH Standard Specifications for Highways, Bridges, and Airport. Volume II 2013


Prepared by:


JOSEPH RYAN B. REDOLOSO
 Engineer II

Reviewed by:


JOSEPH R. GONZALES
 Engineer III
 Planning & Programming Division Head

Approved by:


ANGELIE R. GELLA
 PGADH - Assistant Provincial Engineer
 OIC - Provincial Engineer
 (As per Memo. Order No. 22-2023)

SECTION VII.

DRAWINGS

[The Detailed Architectural and Engineering Design is available at the Provincial Government of Davao del Sur, Procurement Management Office, Office of the BAC Secretariat for Infrastructure Projects, Room 16, Executive Building of Provincial Capitol, Mati, Digos City, upon purchase of the corresponding bidding documents.]

H

SECTION VIII.

BILL OF QUANTITIES

[See attached file.]

H

BILL OF QUANTITIES

Contract Name : **IMPROVEMENT OF FARM TO MARKET ROAD (FMR)**
 Location of the Contract : **HARADA BUTAL, SULOP, DAVAO DEL SUR**
 Project Duration : **45 Calendar Days**

SUMMARY OF BID PRICES
 (All Parts of Bill of Quantities)

1. Part No. - Enter the "Part No." for each section of the Bill of Quantities (BOQ) where unit prices are entered.
2. Part Description - Enter the "Part Description" corresponding to the "Part No."
3. Total Amount - Enter the "Total amount" in Pesos for all pages having the same "Part Description".
4. Adopting Green Procurement Policy by SBAC Resolution No. 140 series of 2019.

Contract ID:	Part No.	Part Description	Total Amount
	B.5	Project Billboard/Signboard	P
	B.7(1)	Occupational Safety and Health Program	P
	B.9	Mobilization/Demobilization	P
	100(1)	Clearing & Grubbing	P
	102(2)	Surplus Common Excavation	P
	104(1)a	Embankment from Roadway Excavation	P
	105(1)a	Subgrade Preparation (Common Material)	P
	200(1)	Aggregate Subbase Course	P
	311(1)b1	Portland Cement Concrete Pavement (Unreinforced), 200mm thk.	P
Total of All Amounts			P
Total of All Amounts in Words:			
PESOS			
			and centavos

Name : _____ In capacity of _____
 Signed : _____ Date _____

Duly authorized to sign the Bid for and on behalf of _____

Contract Name : IMPROVEMENT OF FARM TO MARKET ROAD (FMR)

Location of the Contract : HARADA BUTAI, SULOP, DAVAO DEL SUR

Project Duration : 45 Calendar Days

BILL OF QUANTITIES

Part No. _____

Pay Item No.	Description	Unit	Quantity	Unit Price (Pesos)	Amount (Pesos)
1	2	3	4	5	6
B.5	Project Billboard/Signboard	each	2.00	In words: _____ In figures: _____	In words: _____ In figures: _____
8.7(1)	Occupational Safety and Health Program	months	1.13	In words: _____ In figures: _____	In words: _____ In figures: _____
B.9	Mobilization/Demobilization	L.S.	1.00	In words: _____ In figures: _____	In words: _____ In figures: _____
100(2)	Clearing & Grubbing	L.S.	1.00	In words: _____ In figures: _____	In words: _____ In figures: _____
102(2)	Surplus Common Excavation	cu. m.	519.44	In words: _____ In figures: _____	In words: _____ In figures: _____

Submitted by: _____

Name of the Representative of the Bidder _____

Position _____

Name of Bidder _____

Date : _____

Contract Name : IMPROVEMENT OF FARM TO MARKET ROAD (FMR)

Location of the Contract : HARADA BUTAL, SULOP, DAVAO DEL SUR

Project Duration : 45 Calendar Days

BILL OF QUANTITIES

Part No. _____

Pay Item No.	Description	Unit	Quantity	Unit Price (Pesos)	Amount (Pesos)
1	2	3	4	5	6
104(1)a	Embankment from Roadway Excavation	cu.m.	56.65	In words: _____ In figures: _____	In words: _____ In figures: _____
105(1)a	Subgrade Preparation (Common Material)	sq.m.	1927.04	In words: _____ In figures: _____	In words: _____ In figures: _____
200(1)	Aggregate Subbase Course	cu.m	578.96	In words: _____ In figures: _____	In words: _____ In figures: _____
311(1)b1	Portland Cement Concrete Pavement (Unreinforced), 200mm thk.	sq.m.	1264.63	In words: _____ In figures: _____	In words: _____ In figures: _____

Submitted by: _____

Name of the Representative of the Bidder _____

Position _____

Name of Bidder _____

Date : _____

SECTION IX.

**CHECKLIST OF TECHNICAL
AND FINANCIAL DOCUMENTS**

H



REPUBLIC OF THE PHILIPPINES
PROVINCE OF DAVAO DEL SUR
Office of the Governor

PROCUREMENT MANAGEMENT OFFICE

BIDS AND AWARDS COMMITTEE

Mobile Nos. 0905-229-0526/0908-332-2024 (Goods), 0948-768-5848 (Infra)
 Telefax: (082) 553-9579
 Website: www.davaodelsur.gov.ph/pgm-bac
 Email Add.: bac.davaodelsur2@gmail.com/sbecdavaodelsur@gmail.com



IB No:

Opening of Bids:

CHECKLIST-CIVIL

Name of Project/Brief Description of Goods:		
PR:	Dated:	End User:
Name of Contractor/Supplier:		
Address:		
Contact Number:		
ENVELOPE 1 - ELIGIBILITY DOCUMENTS/TECHNICAL		
1. Class "A" Documents		
Legal Documents		
a. Valid PhilGEPS Registration Certificate (Platinum Membership) with its corresponding Annex A.		
Technical Documents		
b. Statement of the prospective bidder of all its on-going government and private contracts, including contracts awarded but not yet started (7 calendar days before the bid opening), if any, whether similar or not similar in nature and complexity to the contract to be bid with supporting documents such as Notice of Award and/or Contract, Notice to Proceed, and Certificate of Accomplishment or Statement of Time Elapsed and Work Accomplished.		
c. Statement of the bidder's Single Largest Completed Contract (SLCC) similar to the contract to be bid for the last (3) years, and whose value, adjusted to current prices using the PSA consumer price indices, must be at least fifty percent (50%) of the ABC to be bid: Provided, however, that contractors under Small A and Small B categories without similar experience on the contract to be bid may be allowed to bid if the cost of such contract is not more than the Allowable Range of Contract Cost (ARCC) of their registration based on the guidelines as prescribed by the PCAB. This Statement must be supported with the following: Contract/ Purchase Order, Certificate of Completion/ Acceptance or Inspection Report or Official Receipt, Validated Contractors/Constructors Performance Evaluation System (CPES) in DPWH website.		
d. Valid Philippine Contractors Accreditation Board (PCAB) License or Special PCAB License in case of Joint Ventures, and Registration for the type and cost of the contract to be bid.		
Financial Documents		
e. The prospective bidder's computation of Net Financial Contracting Capacity (NFCC). However, in the case of procurement of Goods, a bidder may submit a committed Line of Credit from a Universal or Commercial Bank, in lieu of its NFCC computation. (Note: K=15)		
2. Class "B" Documents		
a. For Infrastructure Projects, Joint Venture bidders shall submit a Joint Venture Agreement in accordance with R.A. 4566 and its IRR. Each partner of the joint venture shall submit their respective PhilGEPS Certificates of Registration in accordance with Section 8.5.2 of this IRR. The submission of technical and financial eligibility documents by any of the joint venture partners constitutes compliance: Provided, that the partner responsible to submit the NFCC shall likewise submit the Statement of all of its ongoing contracts and Audited Statements.		
TECHNICAL PROPOSAL		
1. Original copy of Bid Security in the form of the following: <ul style="list-style-type: none"> <input type="checkbox"/> Cash or Cashier's/ Manager's check (2%) <input type="checkbox"/> Bank Guarantee/ Draft or Irrevocable Letter of Credit (2%) <input type="checkbox"/> Surety Bond callable upon demand (5%) <input type="checkbox"/> Bid Securing Declaration (in the prescribed form) 		
2. Project Requirements, which shall include the following: <ul style="list-style-type: none"> a. Organizational chart for the contract to be bid b. List of contractor's personnel (viz., Project Manager, Project Engineers, Materials Engineers, and Foremen), to be assigned to the contract to be bid, with their complete qualifications and experience data; 		

h

	<p>c. List of contractor's equipment units, which are owned, leased, and/or under purchase agreements, supported by certification of availability of equipment from the equipment lessor/vendor for the duration of the project;</p>
	<p>3. Original Duly Signed Omnibus Sworn Statement (OSS) by the prospective bidder or its duly authorized representative; and if applicable, Original Notarized Secretary's Certificate in case of a corporation, partnership, or cooperative; or Original Special Power of Attorney of all members of the joint venture giving full power and authority to its officer to sign the OSS and do acts to represent the bidder.</p>
	<p>4. Other documents/materials to comply with other non-discretionary criteria and requirements as stated in the Instruction to Bidders:</p> <ul style="list-style-type: none"> • Construction Methods • Construction schedule and S-Curve • Pert-CPM • Manpower Utilization • Equipment Utilization • Construction Safety & Health Program • Duly Notarized Affidavit of Site Inspection • Duly Notarized Certification as to Compliance to Labor Laws and Standard
	QUALIFIED
	DISQUALIFIED
ENVELOPE 2- FINANCIAL PROPOSAL	
	1. Duly Signed Financial Bid Form
	2. Duly Signed Bid Prices in the Bill of Quantities
	3. Duly Signed Detailed Estimates
	4. Duly Signed Cash Flow by Quarter and Payment Schedules

hs

SECTION X.

OTHER DOCUMENTS

- 1) Purchase Request
- 2) Statement of all On-going Government & Private Contracts including Contracts awarded but not yet started (Prescribed Form)
- 3) Statement of Single Largest Completed Contract (Prescribed Form)
- 4) Bid Securing Declaration (Prescribed Form)
- 5) Omnibus Sworn Statement (Prescribed Form)
- 6) Bid Form (Prescribed Form)
- 7) Resolution No. 047 Series of 2022 / Three-Strike Policy
- 8) Resolution No. 052 Series of 2022
- 9) Resolution No. 053 Series of 2022
- 10) TWG – Checklist for Bid Evaluation
- 11) TWG – Checklist for Post Qualification

hr

PURCHASE REQUEST
PROVINCE OF DAVAO DEL SUR
 MATTI, DIGOS CITY

Department : PROVINCIAL ENGINEER'S OFFICE PR NO. : 087-23-S Date : 6/13/23
 Section : Construction SAI NO. : _____ Date : _____

STOCK No.	UNIT OF ISSUE	ITEM DESCRIPTION	QTY	UNIT COST	TOTAL COST
1	Job Order	<p>IMPROVEMENT OF FARM TO MARKET ROAD (FMR) located at HARADA BUTAI, SULOP, DAVAO DEL SUR all in accordance, to plans, specifications and scope of work and the Green Procurement Policy as adopted by Executive Order No. 30 series of 2019.</p> <p>XXXXXXXXXXXXXX TOTAL</p>	1	P 3,000,000.00 VVVVVVVV	

TECHNICAL WORKING GROUP
 TECHNICAL SPECS CONTROLLED
 BY: *[Signature]*
 DATE: 6/13/23 *[Signature]*

JUN 09 2023
 10:04
[Signature]

Charge to:
 Improvement of Farm to Market Road (FMR)
 Harada Butai, Sulop, Davao del Sur
 CY 2023 LOCAL GOVERNMENT DEVELOPMENT FUND (LGDF) - 20% DEVELOPMENT FUND

Purpose/Remarks : For use in the **IMPROVEMENT OF FARM TO MARKET ROAD (FMR)** located at **HARADA BUTAI, SULOP, DAVAO DEL SUR**

YVONNE R. CAGAS
 Governor

Signature : *[Signature]* CASH AVAILABILITY : *[Signature]* APPROVED :
 Printed Name : **ANGELIE R. GELLA** FARAH GEMMA V. BIBAN, CPA YVONNE ROÑA CAGAS
 Designation : PGADH-Ass't. Prov'l. Engineer Provincial Treasurer Governor
 (As Per Memo Order No. 22-2023) JUN 09 2023
 Date : June 8, 2023

XXXXXXXXXX

Statement of all On-going Government & Private Contracts including Contracts awarded but not yet started

Name of Project / Contact : _____

IB No. _____

Location: _____

Name of Contract / Location	a)Owner's Name b)Address c)Telephone No.	Nature of Work	Bidder's Role		a) Amount at award b) Duration	a)Date Awarded b)Date Started c)Target Completion Date	% of Accomplishment		Value of Outstanding Works/Undelivered Portion
			Description	%			Planned	Actual	
Government									
Private									
Total Cost									P

Note: This Statement shall be supported with:

1. Notice of Award and/or Contract
2. Notice to Proceed issued by the Procuring Entity
3. Certificate of Accomplishments signed by the owner or authorized representative

Submitted by : _____

(Printed Name & Signature)

Designation : _____

Date : _____

Statement of Single Largest Completed Contract (SLCC)

(Similar in Nature for the Last 3 years)

Name of Project/Contract: _____

IB No. _____

Location: _____

Name of Contract / Location Project Cost	a)Owner's Name b)Address c)Telephone No.	Nature of Work	Bidder's Role		a) Amount at Award b) Amount at Completion c) Duration	a) Date Awarded b) Date Started c) Date of Completion
			Description	%		

Note: This statement shall be supported with:

1. Contract/Purchase Order
2. Certificate of Completion/Acceptance or Inspection and Acceptance Report or Official Receipts

Submitted by: _____

(Printed Name & Signature)

Designation: _____

Date: _____

Bid Securing Declaration Form

[shall be submitted with the Bid if bidder opts to provide this form of bid security]

REPUBLIC OF THE PHILIPPINES) _____) S.S.
CITY OF _____)

BID SECURING DECLARATION
Project Identification No.: [insert number]

To: *[insert name and address of the Procuring Entity]*

I/We, the undersigned, declare that:

1. I/We understand that, according to your conditions, bids must be supported by a Bid Security, which may be in the form of a Bid Securing Declaration.
2. I/We accept that: (a) I/we will be automatically disqualified from bidding for any procurement contract with any procuring entity for a period of two (2) years upon receipt of your Blacklisting Order; and, (b) I/we will pay the applicable fine provided under Section 6 of the Guidelines on the Use of Bid Securing Declaration, within fifteen (15) days from receipt of the written demand by the procuring entity for the commission of acts resulting to the enforcement of the bid securing declaration under Sections 23.1(b), 34.2, 40.1 and 69.1, except 69.1(f), of the IRR of RA No. 9184; without prejudice to other legal action the government may undertake.
3. I/We understand that this Bid Securing Declaration shall cease to be valid on the following circumstances:
 - a. Upon expiration of the bid validity period, or any extension thereof pursuant to your request;
 - b. I am/we are declared ineligible or post-disqualified upon receipt of your notice to such effect, and (i) I/we failed to timely file a request for reconsideration or (ii) I/we filed a waiver to avail of said right; and
 - c. I am/we are declared the bidder with the Lowest Calculated Responsive Bid, and I/we have furnished the performance security and signed the Contract.

IN WITNESS WHEREOF, I/We have hereunto set my/our hand/s this ____ day of [month] [year] at [place of execution].

[insert NAME OF BIDDER OR ITS AUTHORIZED REPRESENTATIVE]

[insert signatory's legal capacity]
Affiant

[Jurat]

[Format shall be based on the latest Rules on Notarial Practice]

Omnibus Sworn Statement (Revised)

[shall be submitted with the Bid]

REPUBLIC OF THE PHILIPPINES)
CITY/MUNICIPALITY OF _____) S.S.

AFFIDAVIT

I, [Name of Affiant], of legal age, [Civil Status], [Nationality], and residing at [Address of Affiant], after having been duly sworn in accordance with law, do hereby depose and state that:

1. *[Select one, delete the other:]*

[If a sole proprietorship:] I am the sole proprietor or authorized representative of [Name of Bidder] with office address at [address of Bidder];

[If a partnership, corporation, cooperative, or joint venture:] I am the duly authorized and designated representative of [Name of Bidder] with office address at [address of Bidder];

2. *[Select one, delete the other:]*

[If a sole proprietorship:] As the owner and sole proprietor, or authorized representative of [Name of Bidder], I have full power and authority to do, execute and perform any and all acts necessary to participate, submit the bid, and to sign and execute the ensuing contract for [Name of the Project] of the [Name of the Procuring Entity], as shown in the attached duly notarized Special Power of Attorney;

[If a partnership, corporation, cooperative, or joint venture:] I am granted full power and authority to do, execute and perform any and all acts necessary to participate, submit the bid, and to sign and execute the ensuing contract for [Name of the Project] of the [Name of the Procuring Entity], as shown in the attached [state title of attached document showing proof of authorization (e.g., duly notarized Secretary's Certificate, Board/Partnership Resolution, or Special Power of Attorney, whichever is applicable)];

3. [Name of Bidder] is not "blacklisted" or barred from bidding by the Government of the Philippines or any of its agencies, offices, corporations, or Local Government Units, foreign government/foreign or international financing institution whose blacklisting rules have been recognized by the Government Procurement Policy Board, by itself or by relation, membership, association, affiliation, or controlling interest with another blacklisted person or entity as defined and provided for in the Uniform Guidelines on Blacklisting;

4. Each of the documents submitted in satisfaction of the bidding requirements is an authentic copy of the original, complete, and all statements and information provided therein are true and correct;

5. [Name of Bidder] is authorizing the Head of the Procuring Entity or its duly authorized representative(s) to verify all the documents submitted;

6. *[Select one, delete the rest:]*

[If a sole proprietorship:] The owner or sole proprietor is not related to the Head of the Procuring Entity, members of the Bids and Awards Committee (BAC), the Technical

Working Group, and the BAC Secretariat, the head of the Project Management Office or the end-user unit, and the project consultants by consanguinity or affinity up to the third civil degree;

[If a partnership or cooperative:] None of the officers and members of *[Name of Bidder]* is related to the Head of the Procuring Entity, members of the Bids and Awards Committee (BAC), the Technical Working Group, and the BAC Secretariat, the head of the Project Management Office or the end-user unit, and the project consultants by consanguinity or affinity up to the third civil degree;

[If a corporation or joint venture:] None of the officers, directors, and controlling stockholders of *[Name of Bidder]* is related to the Head of the Procuring Entity, members of the Bids and Awards Committee (BAC), the Technical Working Group, and the BAC Secretariat, the head of the Project Management Office or the end-user unit, and the project consultants by consanguinity or affinity up to the third civil degree;

7. *[Name of Bidder]* complies with existing labor laws and standards; and
8. *[Name of Bidder]* is aware of and has undertaken the responsibilities as a Bidder in compliance with the Philippine Bidding Documents, which includes:
 - a. Carefully examining all of the Bidding Documents;
 - b. Acknowledging all conditions, local or otherwise, affecting the implementation of the Contract;
 - c. Making an estimate of the facilities available and needed for the contract to be bid, if any; and
 - d. Inquiring or securing Supplemental/Bid Bulletin(s) issued for the *[Name of the Project]*.
9. *[Name of Bidder]* did not give or pay directly or indirectly, any commission, amount, fee, or any form of consideration, pecuniary or otherwise, to any person or official, personnel or representative of the government in relation to any procurement project or activity.
10. In case advance payment was made or given, failure to perform or deliver any of the obligations and undertakings in the contract shall be sufficient grounds to constitute criminal liability for Swindling (Estafa) or the commission of fraud with unfaithfulness or abuse of confidence through misappropriating or converting any payment received by a person or entity under an obligation involving the duty to deliver certain goods or services, to the prejudice of the public and the government of the Philippines pursuant to Article 315 of Act No. 3815 s. 1930, as amended, or the Revised Penal Code.

IN WITNESS WHEREOF, I have hereunto set my hand this ___ day of ___, 20__ at _____, Philippines.

[Insert NAME OF BIDDER OR ITS AUTHORIZED REPRESENTATIVE]

[Insert signatory's legal capacity]
Affiant

[Jurat]

[Format shall be based on the latest Rules on Notarial Practice]

Bid Form for the Procurement of Infrastructure Projects

[shall be submitted with the Bid]

BID FORM

Project Identification No. : _____ Date : _____

To: *[name and address of Procuring Entity]*

Having examined the Philippine Bidding Documents (PBDs) including the Supplemental or Bid Bulletin Numbers *[insert numbers]*, the receipt of which is hereby duly acknowledged, we, the undersigned, declare that:

- a. We have no reservation to the PBDs, including the Supplemental or Bid Bulletins, for the Procurement Project: *[insert name of contract]*;
- b. We offer to execute the Works for this Contract in accordance with the PBDs;
- c. The total price of our Bid in words and figures, excluding any discounts offered below is: *[insert information]*;
- d. The discounts offered and the methodology for their application are: *[insert information]*;
- e. The total bid price includes the cost of all taxes, such as, but not limited to: *[specify the applicable taxes, e.g. (i) value added tax (VAT), (ii) income tax, (iii) local taxes, and (iv) other fiscal levies and duties]*, which are itemized herein and reflected in the detailed estimates.
- f. Our Bid shall be valid within the a period stated in the PBDs, and it shall remain binding upon us at any time before the expiration of that period;
- g. If our Bid is accepted, we commit to obtain a Performance Security in the amount of *[insert percentage amount]* percent of the Contract Price for the due performance of the Contract, or a Performance Securing Declaration in lieu of the allowable forms of Performance Security, subject to the terms and conditions of issued GPPB guidelines¹ for this purpose;
- h. We are not participating, as Bidders, in more than one Bid in this bidding process, other than alternative offers in accordance with the Bidding Documents;
- i. We understand that this Bid, together with your written acceptance thereof included in your notification of award, shall constitute a binding contract between us, until a formal Contract is prepared and executed; and
- j. We understand that you are not bound to accept the Lowest Calculated Bid or any other Bid that you may receive.
- k. We likewise certify/confirm that the undersigned, is the duly authorized

¹ currently based on GPPB Resolution No. 09-2020

representative of the bidder, and granted full power and authority to do, execute and perform any and all acts necessary to participate, submit the bid, and to sign and execute the ensuing contract for the [Name of Project] of the [Name of the Procuring Entity].

- I. We acknowledge that failure to sign each and every page of this Bid Form, including the Bill of Quantities, shall be a ground for the rejection of our bid.

Name: _____

Legal Capacity: _____

Signature: _____

Duly authorized to sign the Bid for and behalf of: _____

Date: _____



Republic of the Philippines
PROVINCE OF DAVAO DEL SUR

Barangay Matti, Digos City, Davao del Sur
Mobile Nos: 0905-99-0526/0908-332-2024/0948-768-5848
Telefax: (082) 553-3579/ Website: www.davaodelsur.gov.ph
Email Add.: bac.davaodelsur2@gmail.com, sbacdavaodelsur@gmail.com

OFFICE OF THE GOVERNOR
BIDS AND AWARDS COMMITTEE (BAC)

Resolution No. 047
Series of 2022

**A RESOLUTION
RECOMMENDING TO THE HEAD OF THE PROCURING ENTITY, GOVERNOR YVONNE
ROÑA CAGAS TO ADOPT THE 3-STRIKE POLICY IN THE PROCUREMENT OF CONTRACTS
FOR GOODS AND SERVICES, AND INFRASTRUCTURE PROJECTS OF THE PROVINCIAL
GOVERNMENT OF DAVAO DEL SUR.**

WHEREAS, the Provincial Government of Davao del Sur encounters several failures of biddings due to constant errors committed by the participating Bidders in the submission of their bidding documents despite of the orientation during Pre-bid Conference and the Instruction to Bidders;

WHEREAS, to further strengthen the integrity of the competitive bidding process, the Bids and Awards Committee together with the Members of the Technical Working Group unanimously agreed that the following instructions are hereby issued pertaining to the implementation of the 3-Strike Policy of the Provincial Government of Davao del Sur against violations of Section 69 of the IRR of RA 9184:

1. The provision of Section 69.1 of the said IRR, pertaining to the 3-Strike Policy of the Provincial Government of Davao del Sur, is hereby reiterated as follows:
"In addition to the provisions of Rules XXI and XXII of this IRR, the Head of the Procuring Entity, subject to the authority delegated to the BAC, if any, shall impose on bidders or prospective bidders, the administrative penalty of suspension for one (1) year for the first offense, and suspension of two (2) years for the second offense from participating in the competitive bidding process, as well as disqualification from further participating in the competitive bidding being undertaken by the Procuring Entity concerned, where applicable, for the following violations: 69.1.i All other acts that tend to defeat the purpose of the competitive bidding, such as habitually withdrawing from bidding, submitting late Bids or patently insufficient bid, for at least three (3) times within a year, except for valid reasons."
2. The violations enumerated, which are considered as acts that tend to defeat the purpose of competitive bidding, are hereby clarified to read as follows:
 - 2.a A Bidder that had purchased bidding documents, but subsequently (a) withdrawn from the bidding or (b) submitted a letter of non-participation, or (c) did not submit a bid -- without a valid cause, as determined by the Bids and Awards Committee (BAC);
 - 2.b Submission of erroneous, insufficient, defective documents such as, but not limited to, insufficient bid securities, any computational/typographical error in the submitted bidding documents and other deficiencies which causes bid disqualifications;
 - 2.c Non-submission of post-qualification and other requirements within the prescribed period as specified in the notice issued by the BAC;

1 2008 DAVAO DEL SUR



Republic of the Philippines
PROVINCE OF DAVAO DEL SUR

Barangay Matti, Digos City, Davao del Sur
Mobile Nos: 0907-299-0526/0908-332-2024/0948-768-5848
Telefax: (082) 531-9579/ Website: www.davaodelsur.gov.ph
Email Add.: bac.davaodelsur2@gmail.com, sbacdavaodelsur@gmail.com

OFFICE OF THE GOVERNOR
BIDS AND AWARDS COMMITTEE (BAC)

BAC Resolution No. 047 s. 2022

Page -2-

x-x-x-x-x-x-x-x-x-x-x-x-x-x-x-x-x-x

3. Every time a bidder is observed to have done any of the three acts enumerated in Item 2 of paragraph a, b & c of this Resolution, the Chairperson of the BAC shall immediately serve a written notice to the bidder informing him of his act, and giving him three (3) calendar days to show cause why he should not be sanctioned committing an act which tends to defeat the purpose of public bidding under the 3-Strike Policy of the Provincial Government of Davao del Sur;
4. Based on the evaluation by the BAC of the bidder's response to the show cause notice mentioned in Item No. 3 of this Resolution, the BAC shall, within five (5) calendar days from the receipt of the bidder's response determine whether the bidder's act was done with or without a valid cause;
5. The BAC Secretariat shall submit to the BAC a 3-Strike Policy Report, which shall contain the information in item 3 and 9 of this Resolution. The Report must be received by the BAC through the Chairperson within fifteen (15) days after the date of the opening of bids;
6. The BAC through its Secretariat shall monitor the participation of bidders in all of its projects and maintain a tally of violations by each bidder of the 3-Strike Policy in its jurisdiction as well as of the violations by the bidder of the said policy in other offices of the Provincial Government of Davao del Sur;
7. For the procurement of Infrastructure Projects, this Policy is applicable to all modes of procurement, be it Competitive Bidding or alternative modes of procurement, however, for the procurement of Goods and Consulting Services, this Policy is applicable to Competitive Bidding only;
8. For the sanctions to be imposed:
 - **ONE (1) STRIKE** will be imposed for various IB Nos. participated by the bidder with the same nature of violation opened on the same date, or was disqualified during post-qualification stage with the same case of the latter;
 - **MULTIPLE STRIKES** for different discrepancies/offenses under different IB Nos. opened on the same date, or was disqualified during post-qualification stage with the same case of the latter;
9. Each "offense" by a bidder referred to in Section 69.1.i. of the IRR, as stated in this Resolution, consists of three violations or strikes within a period of one calendar year for all procurements by all offices of the Provincial Government of Davao del Sur. A Fresh Period of one (1) year in counting of "strikes" shall be observed in the succeeding year;
10. Based on the 3-Strike reports, the Bids and Awards Committee, shall recommend to the Head of the Procuring Entity, for approval, the following administrative sanctions on the erring Contractor/Supplier for the violation of the 3-Strike Policy:
 - a. For the first violation or strike – a first warning.
 - b. For the second strike – a second warning.
 - c. For the third strike, which together with the first two strikes constitutes the first offense against the 3-Strike Policy – an administrative penalty of suspension for one (1) year from participating in any procurement process in the Provincial Government of Davao del Sur.

1 LOVE DAVAO DEL SUR



Republic of the Philippines
PROVINCE OF DAVAO DEL SUR
Barangay Matti, Digos City, Davao del Sur
Mobile Nos: 0911: -299-0526/0908-332-2024/0948-768-5848
Telefax: (082) 551-9579/ Website: www.davaodelsur.gov.ph
Email Add.: bac.davac.delsur2@gmail.com, sbacdavaodelsur@gmail.com

OFFICE OF THE GOVERNOR
BIDS AND AWARDS COMMITTEE (BAC)

BAC Resolution No. 047 s. 2022

Page -3-

x-x-x-x-x-x-x-x-x-x-x-x-x-x-x-x-x-x

- d. For the second offense – the second set of three strikes committed by the bidder – an administrative suspension for two (2) years from participating in any procurement process in the Provincial Government of Davao del Sur.


WHEREFORE, on motion of BAC Member Milana, duly seconded by BAC Member Putong, it was –


RESOLVED, as it is hereby **RESOLVED**, to recommend to the Head of the Procuring Entity, YVONNE ROÑA CAGAS to **ADOPT THE 3-STRIKE POLICY IN THE PROCUREMENT OF CONTRACTS OF THE PROVINCIAL GOVERNMENT OF DAVAO DEL SUR.**

RESOLVED FINALLY, to furnish copies of this Resolution to all agencies concerned, Suppliers, and Concerned End Users, for their information and guidance.

UNANIMOUSLY APPROVED at the Almendras Hall, Governor Douglas Ralofa Cagas Sports and Business Complex, Barangay Matti, Digos City, Province of Davao del Sur, this 14th day of July, 2022.

I hereby certify the correctness of above-mentioned resolution.


NORJANNA M. CAMAGUIN, MPA
LTOO IV
Head, BAC Secretariat (Goods and Consulting Services)



Engr. SHIELA MAE ZAPANTA, MPA
Agricultural Technologist
Head, BAC Secretariat (Infrastructure Projects)

Attested by:


DOMING S. BUCOL JD
PGDH-Provincial Warden Office
BAC Member

(on leave)
RAUL R. FUECONCILLO, MagDev
PGDH-Office of the Provincial Agriculturist
BAC Member


Engr. ANGELIE R. GELLA
APGDH-PEO
BAC Member


Engr. RODERICK R. MILANA, REA
PGDH-PASSO
BAC Member

I LOVE DAVAO DEL SUR



Republic of the Philippines
PROVINCE OF DAVAO DEL SUR
Barangay Matti, Digos City, Davao del Sur
Mobile Nos: 0905-299-0526/0908-332-2024/0948-768-5848
Telefax: (082) 553-9579/ Website: www.davaodelsur.gov.ph
Email Add.: bac.davaodelsur2@gmail.com, sbacdavaodelsur@gmail.com

OFFICE OF THE GOVERNOR
BIDS AND AWARDS COMMITTEE (BAC)


BAC Resolution No. 037 s. 2022

Page -4-

x-x-x-x-x-x-x-x-x-x-x-x-x-x-x-x


ALLAN C. PUTONG
PGDH-PGSO
BAC Member


RAUL D. RAUT, EnP, JD
PGDH-PHRIMO
BAC Vice Chairperson


DESSAMIE BUAT-SANCHEZ, CPA, JD
PGDH - PBO
BAC Chairperson – Presiding Officer

Approved by:


YVONNE RONA CAGAS
Governor
Head of Procuring Entity

I LOVE DAVAO DEL SUR

H

Statement of Single Largest Completed Contract (SLCC)

(Similar in Nature for the Last 3 years)

Name of Project/Contract: _____

IB No. _____

Location: _____

Name of Contract / Location Project Cost	a)Owner's Name b)Address c)Telephone No.	Nature of Work	Bidder's Role		a) Amount at Award b) Amount at Completion c) Duration	a) Date Awarded b) Date Started c) Date of Completion
			Description	%		

Note: This statement shall be supported with:

1. Contract/Purchase Order
2. Certificate of Completion/Acceptance or Inspection and Acceptance Report or Official Receipts

Submitted by: _____

(Printed Name & Signature)

Designation: _____

Date: _____



Republic of the Philippines
 PROVINCE OF DAVAO DEL SUR
 Barangay Matti, Digos City, Davao del Sur

Mobile No.: 0922-888-8888; 0922-888-8888 / 0922-888-8888
 Telefax: (082) 888-9979; 0822888888; 0822888888; 0822888888
 Email Addr.: bac.davaodelsur2@gmail.com; bac.davaodelsur@gmail.com

OFFICE OF THE GOVERNOR
 BIDS AND AWARDS COMMITTEE (BAC)

Resolution No. 052
 Series of 2022

**A RESOLUTION
 RECOMMENDING TO THE HEAD OF THE PROCURING ENTITY, GOVERNOR
 YVONNE RONA CAGAS TO ADOPT THE SUSPENSION OF PARTICIPATING
 BIDDERS WHO WILL INCUR ANY OF THE VIOLATIONS STIPULATED IN SECTION
 41 OF THE 2016 REVISED IMPLEMENTING RULES AND REGULATIONS OF
 REPUBLIC ACT NO. 9184, OTHERWISE KNOWN AS THE GOVERNMENT
 PROCUREMENT REFORM ACT.**

WHEREAS, the Provincial Government of Davao del Sur encounters failures of biddings due to constant violations committed by the participating Bidders in the submission of their bidding documents despite of the orientation during Pre-bid Conference and the Instruction to Bidders;

WHEREAS, to further strengthen the integrity of the competitive bidding process, the Bids and Awards Committee together with the Members of the Technical Working Group unanimously agreed that the following instructions are hereby issued pertaining to the implementation of the Suspension of the Participating Bidders against violations of Section 41 of the Revised IRR of RA 9184;

1. The provision of Section 41 the Revised IRR of RA 9184 is hereby reiterated as follows:

“Section 41. Reservation Clause. - The Head of the Agency reserves the right to reject any and all Bids, declare a failure of bidding, or not award the contract in the following situations:

- a. If there is prima facie evidence of collusion between appropriate public officers or employees of the Procuring Entity, or between the BAC and any of the bidders, or if the collusion is between or among the bidders themselves, or between a bidder and a third party, including any act which restricts, suppresses or nullifies or tends to restrict, suppress or nullify competition;*
 - b. If the BAC is found to have failed in following the prescribed bidding procedures; or*
 - c. For any justifiable and reasonable ground where the award of the contract will not redound to the benefit of the government as defined in the IRR.”*
2. The violations enumerated, which are considered as acts that tend to defeat the purpose of competitive bidding, are hereby clarified to read as follows:
- 2.a . *If there is prima facie evidence of collusion between appropriate public officers or employees of the Procuring Entity*
 - 2.b *If there is prima facie evidence of collusion between the BAC and any of the bidders;*



Republic of the Philippines
PROVINCE OF DAVAO DEL SUR
Barangay Matti, Digos City, Davao del Sur

Mobile No: 0917-523-3333
Telephone: 083-322-2222

Address: Digos City, Davao del Sur

OFFICE OF THE GOVERNOR

BIDS AND AWARDS COMMITTEE (BAC)

BAC Resolution No. 052 s. 2022

Page -2-

x-x-x-x-x-x-x-x-x-x-x-x-x-x-x-x

- 2.c *If there is prima facie evidence of collusion between or among the bidders themselves, or between a bidder and a third party, including any act which restricts, suppresses or nullifies or tends to restrict, suppress or nullify competition;*
3. The BAC through its Secretariat shall monitor the participation of bidders in all of its projects and maintain a tally of violations by each bidder in its jurisdiction as well as of the violations by the bidder of the said policy in other offices of the Provincial Government of Davao del Sur.

4. The Bids and Awards Committee, shall recommend to the Head of the Procuring Entity, for approval, the administrative sanction on the erring participating bidder/contractor for the violation Section 41 of RA 9184:
- a. For the first violation – an administrative penalty of suspension for three (3) months from participating in any procurement process in the Provincial Government of Davao del Sur.
 - b. For the second violation – an administrative penalty of suspension for one (1) year from participating in any procurement process in the Provincial Government of Davao del Sur.
 - c. For the third offense- perpetual disqualification from participating in any procurement process in the Provincial Government of Davao del Sur.


WHEREFORE, on motion of BAC Member Milana, duly seconded by BAC Member Putong, it was –


RESOLVED, as it is hereby **RESOLVED**, to recommend to the Head of the Procuring Entity, GOVERNOR YVONNE ROÑA CAGAS to **ADOPT THE SUSPENSION OF PARTICIPATING BIDDERS WHO WILL INCUR ANY OF THE VIOLATIONS STIPULATED IN SECTION 41 OF THE 2016 REVISED IMPLEMENTING RULES AND REGULATIONS OF REPUBLIC ACT NO. 9184, OTHERWISE KNOWN AS THE GOVERNMENT PROCUREMENT REFORM ACT.**

RESOLVED FINALLY, to furnish copies of this Resolution to all agencies concerned for their information and guidance.

UNANIMOUSLY APPROVED at the Almendras Hall, Governor Douglas Raboia Cagas Sports and Business Complex, Barangay Matti, Digos City, Province of Davao del Sur, this 14th day of July, 2022.

I hereby certify the correctness of above-mentioned resolution.


Engr. **SHIELA MAE ZAPANTA, MPA**
Agricultural Technologist
Head, BAC Secretariat (Infrastructure Projects)


NORJANNA M. CAMAGUIN, MPA
LTOO IV
Head, BAC Secretariat (Goods and Consulting Services)

14 JULY 2022



Republic of the Philippines
PROVINCE OF DAVAO DEL SUR
Barangay Matti, Digos City, Davao del Sur

Mobile No.: 0917-288-0505, 0917-507-1414 / 0917-768-5848
Telefax: (082) 893-9519 / 893-9518
E-mail Add.: bac@zmdelsur.gov.ph, bac@zmdelsur@gmail.com

OFFICE OF THE GOVERNOR

BIDS AND PROCUREMENT OFFICE (BAC)

BAC Resolution No. 052 s. 2022


Page -3-

X-X-X-X-X-X-X-X-X-X-X-X-X-X-X-X


Attested by:



DOMINIC S. BUCOL JD
PGDH-Provincial Warden Office
BAC Member

(on leave)
RAUL R. FUECONCILLO, MagDev
PGDH-OPAG
BAC Member


Engr. ANGELIE R. GELLA
APGDH-PEO
BAC Member

Engr. RODERICK R. MILANA, REA
PGDH-PASSO
BAC Member


ALLAN C. PUTONG
PGDH-PGSO
BAC Member


RAUL D. RAUT, EnP, JD
PGDH-HRMO
BAC Vice Chairperson


DESSAMIE BUAT-SANCHEZ, CPA, JD
Provincial Budget Officer
BAC Chairperson – Presiding Officer

Approved by:


YVONNE RONA CAGAS
Governor
Head of Procuring Entity



Republic of the Philippines
 PROVINCE OF DAVAO DEL SUR
 Barangay Matti, Digos City, Davao del Sur

Public Notice of Bidding for the Procurement of Goods and Services
 BIDDING NO. 053-2022
 DATE OF BIDDING: July 14, 2022
 TIME OF BIDDING: 9:00 AM to 5:00 PM

Resolution No. 053
 Series of 2022

A RESOLUTION

RECOMMENDING TO THE HEAD OF THE PROCURING ENTITY, GOVERNOR YVONNE RONA CAGAS, TO DECLARE BIDDERS WHO FAILED TO DISCLOSE ALL ON-GOING PROJECTS AS DISQUALIFIED, AFTER FINDING SUCH NON-INCLUSION DURING POST-QUALIFICATION OF BIDDERS BY THE BAC TECHNICAL WORKING GROUP (TWG).

Be it enacted by the BAC MEMBERS in meeting assembled:

WHEREAS, in line with the Provincial Government of Davao del Sur's initiative to fast-track the procurement transactions of the Province, the Special Bids and Awards Committee thereby adopts this Resolution to produce Contractors with integrity and truthfulness in their submitted bid;

WHEREAS, item number 2 of GPPB NPM 111-2013 states that, "*Failure to include all on-going and completed contracts in the Statement may be a ground for disqualification for being incomplete, and may also result in blacklisting if proven that such failure amounts to submission of false information or false documents. The submission of the eligibility documents enumerated in Section 23.1 of the IRR is a mandatory requirement that must be complied with by prospective bidders, such that failure to submit any of the documents or the submission of an otherwise incomplete or patently insufficient document, will disqualify the bidder based on the non-discretionary "pass/fail" criterion under Section 30.1 of the IRR.*"

IN ADDITION, GPPB NPM 006-2018 states that, "*Failure to declare an on-going government and private contract, including contracts awarded but not yet started, if any, whether similar or not similar in nature and complexity to the contract to be bid is a ground for disqualification. These contracts, as reflected in the "Statement of all on-going contracts", are vital to the computation of the Net Financial Contracting Capacity of the bidder, and they are necessary information during the post-qualification stage to verify, validate and ascertain the technical qualification of the Lowest Calculated Bidder for the ultimate determination whether it is the Lowest Calculated and Responsive Bidder.*";

WHEREFORE, after thorough deliberation, BAC Member Milana duly seconded by BAC Member Putong, it was-

RESOLVED, as it is hereby RESOLVED, to recommend to the HEAD OF PROCURING ENTITY, GOVERNOR YVONNE RONA CAGAS, TO DECLARE BIDDERS WHO FAILED TO DISCLOSE ALL ON-GOING PROJECTS AS DISQUALIFIED AFTER FINDING SUCH NON-INCLUSION DURING POST-QUALIFICATION OF BIDDERS BY THE BAC TECHNICAL WORKING GROUP (TWG);

RESOLVED FINALLY, to furnish copies of this Resolution to all agencies concerned for their information and guidance.

UNANIMOUSLY APPROVED at the Almendras Hall, Governor Douglas Ralota Cagas Sports and Business Complex, Barangay Matti, Digos City, Province of Davao del Sur, this 14th day of July, 2022.

I hereby certify to the correctness of above-mentioned resolution

Engr. SHIELA MAE ZAPANTA, MPA
 Agricultural Technologist
 Head, BAC Secretariat (Infrastructure Projects)

NORJANNA M. CAMAGUIN, MPA
 LTOO IV
 Head, BAC Secretariat (Goods and Consulting Services)

Attested by:


DOMINIC S. BUCOL JD
PGDH-Provincial Warden Office
BAC Member

(on leave)
RAUL R. FUECONCILLO, MagDev
PGDH-Office of the Provincial Agriculturist
BAC Member


Engr. ANGELIE R. GELLA
APGDH-PEO
BAC Member


Engr. RODERICK R. MILANA, REA
PGDH-PASSO
BAC Member

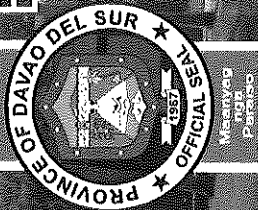

ALLAN C. PUJONG, JD
PGDH-PGSO
BAC Member


RAUL D. RAUT, EnP, JD
PGDH-HRMO
BAC Vice Chairperson


DESSAMIE BUAT-SANCHEZ, CPA, JD
PGDH - PBO
BAC Chairperson – Presiding Officer

Approved by:


YVONNE RONA GAGAS
Governor
Head of Procuring Entity



PROCUREMENT MANAGEMENT OFFICE BIDS AND AWARDS COMMITTEE

Mobile Nos. 0905-229-0526/0908-332-2024 (Goods), 0948-768-5848 (Infra)
Teletax: (082) 553-9579

Website: www.davaodelsur.gov.ph/pgc-bac

Email Add.: bac.davaodelsur2@gmail.com/sbaedavaodelsur@gmail.com

Isang Davao del Sur

TWG – CHECKLIST FOR BID EVALUATION

IB No.	Name of Project:	FINDINGS	REMARKS
	Contractor:		
	ITEMS:		
	1. Bid Amount (both in words and in figure) must be below ABC.		
	2. Bill of Quantities submitted by the contractor must conform with the Bill of Quantities issued by the End-User.		
	3. Detailed Estimates		
	A. Check mathematical computation in the Detailed Estimates		
	B. The amount in the Detailed Estimates must be reconciled with the amount in the summary of bid and the quantities in the BOQ.		
	C. Allowance for waste and/or losses, not to exceed 5% of materials equipment.		
	D. Mobilization and demobilization shall not exceed 1% of the Estimated Direct Cost (EDC) of the civil works items.		
	E. Overhead expenses must be within the range of %-11% of the EDC.		
	F. Contingencies must be within the range of 0.5%-3% of the EDC.		
	G. Miscellaneous expenses must be within the range of 0.5%-1% of the EDC.		
	H. Contractor's Profit Margin shall be 8% of the EDC for projects above 5 million and 10% for the projects 5 million and below.		
	I. VAT Component shall be 5% of the sum of the EDC, OCM, and Profit.		
	J. The following non-civil work items shall not be subjected to OCM mark-up:		
	1. Field/ Laboratory Office & Living Quarters (Rental Basis)		
	2. Furnishing of Furniture, Laboratory Equipment, Survey Equipment and Consumables		
	3. Assistance to the Engineers		
	4. Photographs		
	5. Health and Safety		
	2. Traffic Management		
	3. Environmental Compliance		
	4. Communication Equipment		
	5. Project Billboard, etc.		

P M O



Moalbag
P. 1000
P. 1000

Republic of the Philippines
PROVINCE OF DAVAO DEL SUR
Office of the Governor

PROCUREMENT MANAGEMENT OFFICE BIDS AND AWARDS COMMITTEE

Mobile Nos. 0905-229-0526/0908-332-2024 (Goods), 0948-768-5848 (Infra)
Telefax: (082) 553-9579

Website: www.davaodelsur.gov.ph/pgo-bac
Email Add: bac.davaodelsur2@gmail.com/sbaccdavaodelsur@gmail.com

I Love Davao del Sur

K. The following items shall not be subjected to OCM and Profit mark-up:		
A. Mobilization and demobilization		
B. Provision of Service Vehicle		
C. Permits and Clearances		
4. Bid Security		
A. Cash or Cashier's/ Manager's check (2%)		
B. Bank Guarantee/ Draft or Irrevocable Letter of Credit (2%)		
C. Surety Bond callable upon demand (5%)		
D. Bid Securing Declaration (must be in prescribed form, 15 days)		
E. Cash Flow by quarter and payment schedule (check mathematical computation against the bid amount)		



PROCUREMENT MANAGEMENT OFFICE

BIDS AND AWARDS COMMITTEE

Mobile Nos. 0905-229-0526/0908-332-2024 (Goods), 0948-768-5848 (Infra)
Telefax: (082) 553-9579

Website: www.davaodelsur.gov.ph/pgobac

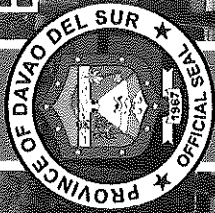
Email Add.: bac.davaodelsur2@gmail.com/spac.davaodelsur@gmail.com

9 Davao Davao del Sur

TWG – CHECKLIST FOR POST QUALIFICATION

IB. No.	Name of Project:	FINDINGS	REMARKS
	Contractor:		
	TECHNICAL DOCUMENTS:		
	1. Not a Blacklisted Contractor per GPPB Website		
	2. Registration certificate from SEC, Department of Trade and Industry (DTI) for sole proprietorship, or CDA for cooperatives must be valid (Company Name and Validity)		
	3. Mayor's/ Business permit must be valid (Company Name and Validity)		
	4. Tax Clearance must be valid (Company Name and Validity)		
	5. PhilGEPS Registration (Platinum Membership) must be valid (Company Name and Validity)		
	6. Valid Philippine Contractors Accreditation Board or Special PCAB License in case of Joint Ventures (PCAB)		
	7. Statement of all on-going government and private contracts including awarded but not yet started		
	A. Complete attachments <ul style="list-style-type: none"> I. Notice of Award II. Contract III. Notice to Proceed IV. Contract Extension, if any; V. Statement of Work Accomplishment duly signed by the Procuring Entity 		
	B. Evaluate the projects, if any; <ul style="list-style-type: none"> i. Verify Target Date of Completion ii. Must not incur Negative Slippage of more than fifteen percent (15%) in any one project or a negative slippage of more than ten percent (10%) in each two (2) or more contracts. 		
	C. Verification of on-going projects via DPWH portal		
	8. Statement of the bidder's Single Largest Completed Contract (SLCC) similar to the contract to be bid for the last (3) years, and whose value, adjusted to current prices using the PSA consumer price indices, must be at least fifty percent (50%) of the ABC to be bid; Provided, however, that contractors under Small A and Small B categories without similar experience on the contract to be bid may be allowed to bid if the cost of such contract is not more than the Allowable Range of Contract Cost (ARCC) of their registration based on the guidelines as prescribed by the PCAB.		
	Must be supported with the following: <ul style="list-style-type: none"> A. Contract / Purchase Order B. Certificate of Completion / Acceptance or Inspection Report or Official Receipt C. Validate Contractors/Constructors Performance Evaluation System (CPES) in DPWH website. 		

P M O



Alkanyang
PATERNO

Republic of the Philippines
PROVINCE OF DAVAO DEL SUR
Office of the Governor

PROCUREMENT MANAGEMENT OFFICE BIDS AND AWARDS COMMITTEE

Mobile Nos. 0905-229-0526/0908-332-2024 (Goods), 0948-768-5848 (Infra)
Telefax: (082) 553-9579

Website: www.davaodelsur.gov.ph/pgo-bac

Email Add.: bac.davaodelsur2@gmail.com/sbaadavaodelsur@gmail.com

9000 Davao del Sur

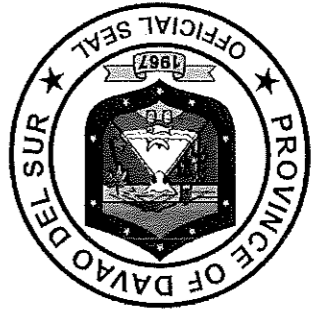
9. Omnibus Sworn Statement must be in prescribed form (1 to 9) and duly notarized		
10. Net Financial Contracting Capacity (NFCC) must be reconciled with the Audited Financial Statements		
11. Income Tax Return as of 2020		
12. Business Tax Return Quarterly or Monthly as of 2021		
13. Construction Methods must conform with the approved plan		
14. Construction schedule and S-Curve must conform with the prescribed contract duration and the bid amount		
15. PERT-CPM must conform with the contract duration		
16. Manpower Utilization must conform with the POW		
17. Equipment Utilization must conform with the POW		
18. Duly Notarized Affidavit of Site Inspection		
19. Duly Notarized Compliance to Existing Labor Laws and Standards		

IMPROVEMENT OF FARM TO MARKET ROAD (FMR)

HARADA BUTAI, SULOP, DAVAO DEL SUR

DETAILED ENGINEERING DESIGN

REPUBLIC OF THE PHILIPPINES
PROVINCE OF DAVAO DEL SUR
PROVINCIAL ENGINEER'S OFFICE
SAN AGUSTIN, DIGOS CITY, DAVAO DEL SUR



PROJECT DESCRIPTION:

STATIONING OF PROJECT ----- STA. 0 + 000.00
END OF PROJECT ----- STA. 0 + 301.50
TOTAL LENGTH ----- 301.50 meters
PAVEMENT WIDTH ----- 4.00 meters
PAVEMENT THICKNESS ----- 0.20 meter

SUBMITTED:

JOSEPH R. GONZALES
ENGINEER III
Planning and Programming Division Head

RECOMMENDING APPROVAL:

ANGELIE R. GELLA
PGADH - Assistant Provincial Engineer
OIC - Provincial Engineer
(As per Memo. Order No. 22-2023)

APPROVED:

YVONNE ROMA CAGAS
Provincial Governor

TABLE OF CONTENTS

1	-----	TABLE OF CONTENTS
2	-----	LOCATION PLAN & VICINITY MAP
3	-----	GENERAL NOTES
4	-----	PROJECT BILLBOARDS & SUMMARY OF QUANTITIES
5	-----	GENERAL PLAN
6	-----	PAVEMENT DETAILS
7	-----	TYPICAL ROADWAY SECTION
8 - 9	-----	DESIGN PARAMETERS
10	-----	TYPICAL FLARED INTERSECTION DETAIL
11	-----	PLAN & PROFILE
12 - 13	-----	ROADWAY CROSS SECTIONS



PROVINCIAL ENGINEER'S OFFICE
REPUBLIC OF THE PHILIPPINES
SAN AGUSTIN, DIGOS CITY, DAVAO DEL SUR

PROJECT TITLE: IMPROVEMENT OF FARM TO MARKET ROAD (FMR)
LOCATION: HARADA BUTAI, SULOP, DAVAO DEL SUR

DESIGNED & PREPARED BY: DONALD A. RELLO
ENGINEER I

ENGINEER II: JOSEPH RYAN B. REDOLOSO

REVIEWED BY: JOSEPH R. GONZALES
ENGINEER III
Planning and Programming Division Head

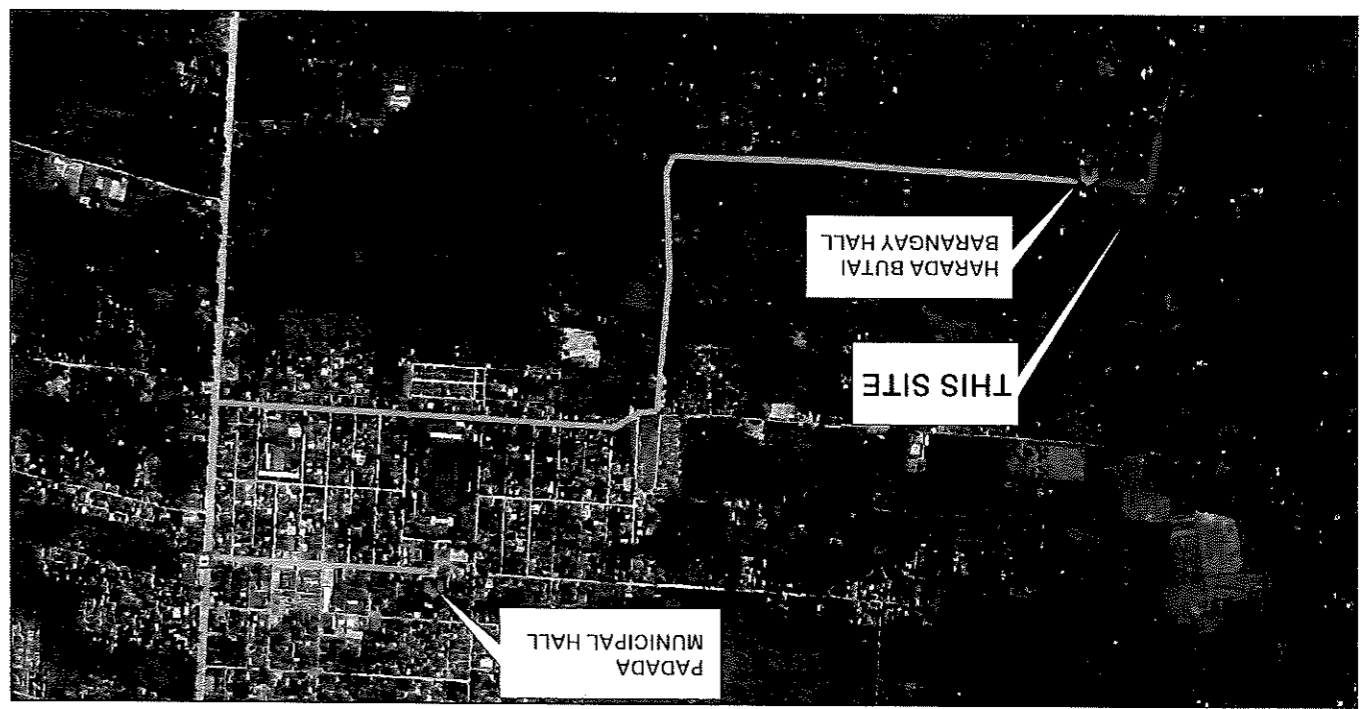
RECOMMENDING APPROVAL: ANGELIE R. GELLA
PGDH - Assistant Provincial Engineer
OIC - Provincial Engineer
(As per Memo, Order No. 22-2023)

APPROVED BY: YVONNE ROMA CAGAS
Provincial Governor

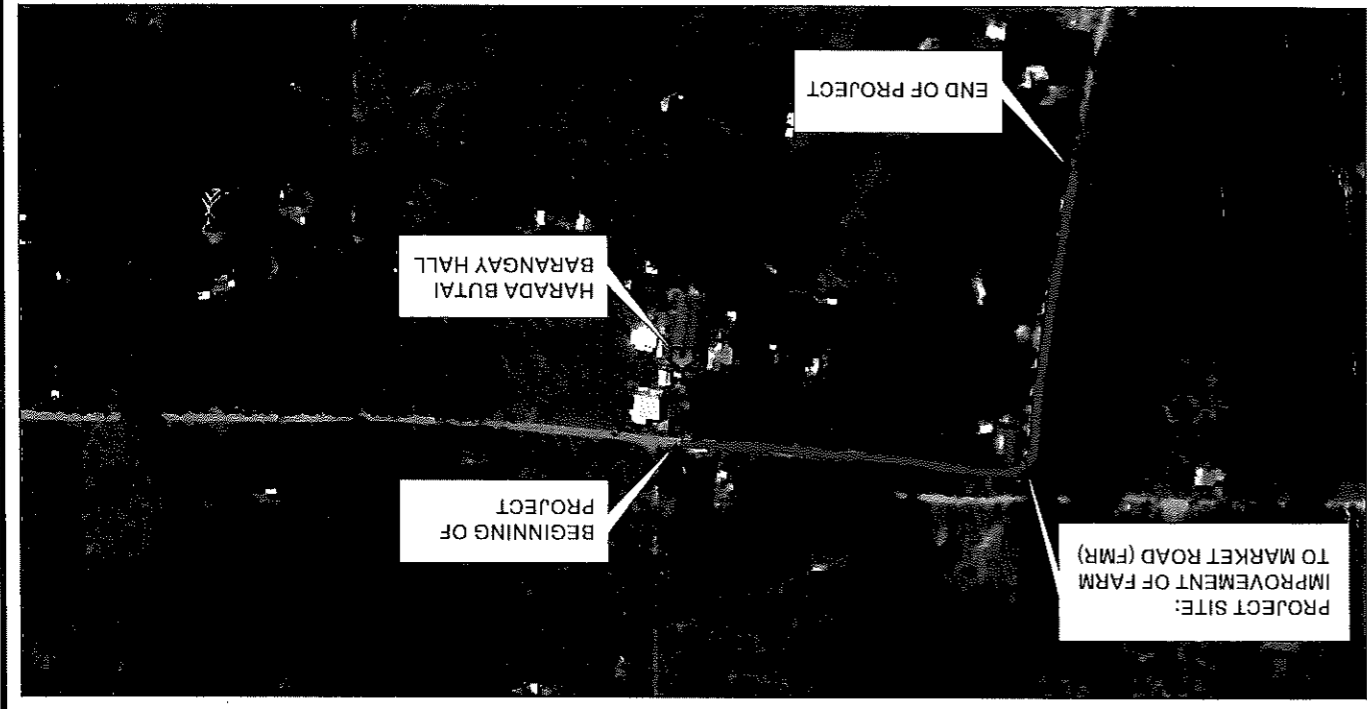
2
13



LOCATION MAP



VICINITY MAP



R O A D A W A Y

GENERAL NOTES

1. THE CONTRACTOR SHALL PROVIDE AND MAINTAIN OFFICES, SHOPS, STORES, AND WORKMEN ACCOMMODATION AS ARE NECESSARY, A MEDICAL ROOM TOGETHER WITH ALL NECESSARY SUPPLIES SHALL ALSO BE PROVIDED AND MAINTAINED AND A TRAINED MEDICAL AIDE SHALL BE EMPLOYED SOLELY ON MEDICAL DUTIES.
2. ONE (2) PROJECT BILLBOARDS SHALL BE INSTALLED, ONE AT THE BEGINNING AND ONE AT THE END OF THE PROJECT, FOR ROAD PRODUCTS WITH LENGTH OF 10 KILOMETERS OR MORE, ADDITIONAL BILLBOARD SHALL BE INSTALLED EVERY 5-KILOMETER INTERVAL.
3. BASIC PERSONAL PROTECTIVE EQUIPMENT (PEPE) FOR ALL CONSTRUCTION WORKERS SHALL BE PROVIDED AND OTHER REQUIRED SPECIALTY PPE AS PER DO 13, S. 2018, SHALL BE PROVIDED AND EMERGENCY OCCUPATIONAL HEALTH PERSONNEL AND FACILITIES ARE REQUIRED DEPENDING ON THE NUMBER OF WORKERS.
4. TRAFFIC MANAGEMENT LAYOUTS PROVIDED IN THE PLAN MAY NOT NECESSARILY BE SIMILAR ON SITE. ADJUSTMENTS MAY BE MADE TO PROVIDE THE NECESSARY TRAFFIC CONTROL DEVICES TO BE INSTALLED ON SITE. A TRAFFIC CONTROLLER MUST ALSO BE PROVIDED ESPECIALLY WHEN CLOSING A CERTAIN LANE OF THE ROAD HINDERS THE CONTINUOUS TRAFFIC FLOW FOR A TWO-WAY TRAFFIC.
5. ADEQUATE WARNING SIGNS AND TRAFFIC WARNING SIGNS SHALL BE INSTALLED AND WORKING AREA SHALL BE ADEQUATELY ILLUMINATED AT NIGHT TO WARN MOTORISTS OF ONGOING CONSTRUCTION. FLAGMEN SHALL BE PROVIDED AT EACH END OF THE CLOSED SECTION TO DIRECT COUNTER FLOW TRAFFIC.
6. THE AS-STAKED PLAN SHALL BE PREPARED BY THE CONTRACTOR BASED ON THE PRE-CONSTRUCTION SURVEY CONDUCTED BY THE CONTRACTOR AND IMPLEMENTING OFFICE CONSTRUCTION AND PLANNING AND PROGRAMMING DIVISION.
7. ALL SURVEY, STAKING, RECORDING OF DATA, AND CALCULATIONS NECESSARY TO CONSTRUCT THE PROJECT FROM THE INITIAL LAYOUT TO FINAL COMPLETION SHALL BE PERFORMED. WORK SHALL BE STARTED AFTER STAKING FOR THE AFFECTED WORK IS ACCEPTED.
8. ANY EXISTING ROAD WHILE UNDERGOING IMPROVEMENT SHALL BE KEPT OPEN TO TRAFFIC CONTINUOUSLY IN SATISFACTORY CONDITION AND TRAFFIC SHALL BE ACCOMMODATED DURING THE ENTIRE CONTRACT PERIOD. CONSTRUCTION AND MAINTAINING DETAILS SHALL BE DONE AS LOCATED BY THE ENGINEER.
9. DESIGN WAS BASED ON SURVEY DATA SUBMITTED BY THE SURVEY UNIT OF PLANNING AND PROGRAMMING DIVISION OF THE PROVINCIAL ENGINEER'S OFFICE OF DAVAO DEL SUR.

10. EARTHWORK
 - 1. CLEARING SHALL EXTEND ONE (1) METER BEYOND THE TOP OF THE FILL SLOPES OR BEYOND ROUNDING OF CUT SLOPES FOR THE ENTIRE LENGTH OF THE PROJECT PROVIDED THAT IT IS WITHIN THE RIGHT-OF-WAY LIMITS OF THE PROJECT.
 - 2. ALL CONCRETE PAVEMENT, BASE COURSE, SIDEWALKS, CURBS, GUTTERS, ETC., DESIGNATED FOR REMOVAL, SHALL BE BROKEN INTO PIECES, THE SIZE OF WHICH SHALL NOT EXCEED 300MM IN ANY DIMENSION AND STOCKPILED AT DESIGNATED LOCATIONS ON THE PROJECT FOR USE BY THE GOVERNMENT OTHERWISE DEMOLISHED AND DISPOSED OF AS DIRECTED BY THE ENGINEER.
 - 3. EXCAVATION OPERATIONS SHALL BE CONDUCTED SO THAT MATERIAL OUTSIDE OF THE LIMITS OF SLOPES WILL NOT BE DISTURBED.
 - 4. PRIOR TO CONSTRUCTION, ALL NECESSARY CLEARING AND GRUBBING IN THAT AREA SHALL HAVE BEEN PERFORMED IN CONFORMITY WITH ITEM 100, CLEARING AND GRUBBING.
 - 5. ROADWAY EMBANKMENT OF EARTH MATERIALS SHALL BE PLACED IN HORIZONTAL LAYERS NOT EXCEEDING 200MM, LOOSE MEASUREMENT, AND SHALL BE COMPACTED AS SPECIFIED BEFORE THE NEXT LAYER IS PLACED, AS COMPACTED OF EACH LAYER PROGRESS, CONTINUOUS LEVELING AND MANIPULATING WILL BE REQUIRED TO ASSURE UNIFORM DENSITY.
 - 6. PRIOR TO FINAL ACCEPTANCE, THE INSPECTOR SHALL VISUALLY INSPECT THE ENTIRE SECTION OF THE COMPACTED EMBANKMENT, IF FOUND NOT UNIFORM OR THE TEST VALUES MAY NOT BE REPRESENTATIVE OF THE ENTIRE SECTION, ADDITIONAL TESTS MAY BE PERFORMED AND DEFICIENCIES SHALL BE CORRECTED BY THE CONTRACTOR.
 - 7. ADEQUATE DUST CONTROL MUST BE MAINTAINED BY THE CONTRACTOR AT ALL TIMES DURING EARLY-MOVING OPERATIONS THROUGH THE USE OF WATER.
 - 8. THE CONTRACTOR SHALL NOT PLACE STOCKPILES AT LOCATIONS WHERE THEY ARE SUBJECT TO EROSION. THE CONTRACTOR SHALL MAINTAIN EROSION AND DRAINAGE CONTROL NEAR ALL STOCKPILES AND SHALL ENSURE THAT SURFACE DRAINAGE DOES NOT ADVERSELY AFFECT ADJACENT LANDS, WATERCOURSES OR FUTURE RECLAMATION SITES.
 - 9. STOCKPILES SHALL NOT BE SITUATED AT LOCATIONS THAT WILL INTERFERE OR CAUSE DAMAGE TO UTILITIES. IT SHALL NOT BE SITUATED WITHIN 30M OF A WATERCOURSE OR PERMANENT STRUCTURE OR WITHIN 4M OF ADJACENT PROPERTY BOUNDARY UNLESS OTHERWISE PERMITTED IN WRITING BY THE PROPERTY OWNER.

11. FINISHED SURFACES IN ALL CASES SHALL CONFORM WITH LINES, GRADES, DIMENSIONS AND ADJUSTMENTS SHOWN ON THE APPROVED PLANS, EXCEPT AS MODIFIED BY WRITTEN ORDERS.
12. CUT SLOPES, EXCEPT IN ROCKS AND FILL SLOPES SHALL BE ADJUSTED AND WARPED FLOW INTO EACH OTHER OR INTO NATURAL GROUND SURFACE WITHOUT NOTICEABLE BREAK.

1. FOR SUBBASE MATERIALS, WHERE THE REQUIRED THICKNESS IS 200MM OR LESS, THE MATERIAL SHALL BE SPREAD AND COMPACTED IN ONE (1) LAYER USING A VIBRATORY ROLLER EQUIPMENT, WHERE THE REQUIRED THICKNESS IS MORE THAN 200MM, THE AGGREGATE SUBBASE SHALL BE SPREAD AND COMPACTED IN TWO OR MORE LAYERS OF APPROXIMATELY EQUAL THICKNESS, AND THE MAXIMUM COMPACTED THICKNESS OF ANY LAYER SHALL NOT EXCEED 200MM.
2. NEWLY-COMPLETED CAST-IN-PLACE CURB AND GUTTER SHALL BE COVERED WITH REFLECTORIZED BLACK AND WHITE STRIPES.
3. GUARDRAIL POSTS SHALL BE SET VERTICALLY IN THE POSITION SHOWN IN THE PLANS AND SHALL REMAIN UNDISTURBED FOR A MINIMUM OF 48 HOURS.
4. RAIL ELEMENTS SHALL BE ERECTED IN A MANNER RESULTING IN A SMOOTH CONTINUOUS INSTALLATION. ALL BOLTS, EXCEPT ADJUSTMENT BOLTS, SHALL BE DRAWN TIGHT.
5. PAVEMENT MARKINGS SHALL NOT BE APPLIED DURING RAIN OR WET WEATHER OR WHEN THE AIR IS MISTY. PAINT SHALL NOT BE APPLIED UPON DAMP PAVEMENT SURFACES, OR UPON PAVEMENT WHICH HAS ABSORBED HEAT SUFFICIENT TO CAUSE THE PAINT TO BLISTER AND PRODUCE A POROUS FILM OF PAINT.
6. PAVEMENT MARKINGS THAT FAIL TO HAVE A UNIFORM, SATISFACTORY APPEARANCE EITHER BY DAY OR NIGHT, SHALL BE CORRECTED BY THE CONTRACTOR AT NO COST TO THE GOVERNMENT.
7. TRAFFIC PAINT OF LANE MARKERS AND TRAFFIC STRIPS SHALL BE APPLIED TO THE PAVEMENT AT THE RATE OF 0.33 L/SQ.M. AND SHALL DRY SUFFICIENTLY TO BE FREE FROM CRACKING IN FROM 15 TO 30 MINUTES. THE AMOUNT OF GLASS BEADS TO BE MIXED WITH THE PAINT SHALL BE 500 GRAMS PER LITER OF PAINT.
8. JOINT SEALANT APPLICATION SHALL BE TAKEN CARE OF TO AVOID OVERFILLING OF THE JOINT SPACES. ANY EXCESS MATERIAL SHOULD BE IMMEDIATELY SCRAPED FROM THE PAVEMENT SURFACE.
9. ROAD SIGNS SHALL USE A REFLECTIVE SHEETING CONSISTING OF SPHERICAL LENS ELEMENTS EMBEDDED WITHIN A TRANSPARENT PLASTIC HAVING A SMOOTH, FLAT SURFACE WITH A PROTECTED PRECAT ADHESIVE WHICH SHALL BE PRESSURE SENSITIVE FOR MANUAL APPLICATION OR TACK FREE HEAT ACTIVATED FOR MECHANICAL/VACUUM-HEAT APPLICATION.
10. THE REFLECTIVE BRIGHTNESS VALUES OF THE REFLECTIVE SHEETING AS COMPARED TO MAGNESIUM OXIDE (MGO) SHALL BE AS GIVEN IN TABLE 605-1 OF THE STANDARD SPECIFICATIONS MANUAL OR NOT LESS THAN 90% OF THE GIVEN VALUES WHEN TOTALLY WET BY RAIN.


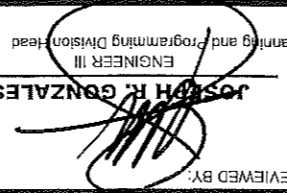
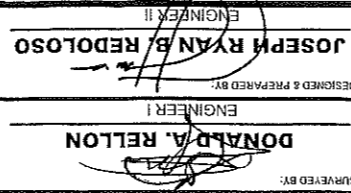
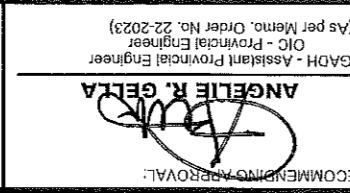
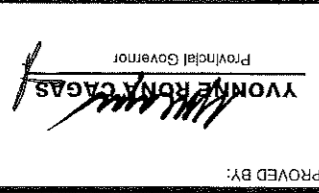
1. DEPENDENT FINAL ACCEPTANCE, THE RIGHT-OF-WAY, BORROW PITS AND ALL GROUND MATERIALS, TEMPORARY STRUCTURES AND EQUIPMENT AND ALL PARTS OF THE WORK SHALL BE LEFT IN A NEAT AND PRESENTABLE CONDITION.
2. ANY DEFECTIVE WORK WHETHER THE RESULT OF POOR WORKMANSHIP, USE OF DEFECTIVE MATERIALS, DAMAGE THROUGH CARELESSNESS, OR OF ANY OTHER CAUSE, FOUND PRIOR TO ACCEPTANCE, SHALL BE REMOVED IMMEDIATELY AND REPLACED BY WORK AND MATERIALS WHICH SHALL CONFORM TO THE SPECIFICATIONS.
3. DAMAGE TO ANY PORTION OF WORK BEFORE FINAL ACCEPTANCE EXCEPT DAMAGES RESULTING FROM THE CONTRACTOR'S NEGLIGENCE SHALL BE REBUILT, REPAIRED AND RESTORED.

1. REVISED DPWH MANUAL ON HIGHWAY SAFETY DESIGN STANDARDS, MAY 2013 EDITION
2. FOR ROAD SAFETY PLANNING AND DESIGN ACTIVITIES AS WELL AS ROAD SAFETY MAINTENANCE ACTIVITIES SUCH AS THE PROPER WAY OF INSTALLING/APPLYING ROAD SIGNS, ROAD SAFETY DEVICES AND PAVEMENT MARKINGS
3. LABOUR CODE OF THE PHILIPPINES AND ITS IMPLEMENTING RULES AND REGULATIONS DOLE DO NO. 13, S. 1996, OCCUPATIONAL SAFETY AND HEALTH STANDARDS AND ITS PRECEDENTIAL GUIDELINES
4. FOR MONITORING, ENFORCEMENT AND IMPLEMENTATION OF CONSTRUCTION SAFETY AND HEALTH - DO 56, S. 2005
5. DPWH DESIGN CRITERIA, GUIDELINES AND STANDARDS, 2015
6. GUIDELINES FOR THE PREPARATION OF COST ESTIMATES FOR TRAFFIC MANAGEMENT AND SAFETY & HEALTH REQUIREMENTS FOR SCHOOL BUILDINGS, DO 13, S. 2018.

1. PIPE CULVERTS SHALL BE INSPECTED BEFORE ANY BACKFILL IS PLACED. ANY PIPE FOUND TO BE OUT OF ALIGNMENT, UNDULY SETTLED, OR DAMAGED SHALL BE TAKEN UP AND REPLACED OR REPAIRED.
2. STONES FOR RIPRAP SHALL CONSIST OF ROCK AS NEARLY AS RECTANGULAR IN SECTION EXCEPT THAT RIPRAP OF CLASS A MAY CONSIST OF ROUND NATURAL STONES, SOUND PIECES OF BROKEN CONCRETE OBTAINED FROM THE REMOVAL OF BRIDGES, CULVERTS AND OTHER STRUCTURES MAY BE SUBSTITUTED FOR STONE WITH THE APPROVAL OF THE ENGINEER.
3. FOR STONE MASONRY, IT SHALL BE SATISFACTORILY PROTECTED FROM THE SUN AND KEPT WET FOR A PERIOD OF AT LEAST THREE DAYS AFTER COMPLETION.

1. DRAINAGE AND SLOPE PROTECTION STRUCTURES
2. STONES FOR RIPRAP SHALL CONSIST OF ROCK AS NEARLY AS RECTANGULAR IN SECTION EXCEPT THAT RIPRAP OF CLASS A MAY CONSIST OF ROUND NATURAL STONES, SOUND PIECES OF BROKEN CONCRETE OBTAINED FROM THE REMOVAL OF BRIDGES, CULVERTS AND OTHER STRUCTURES MAY BE SUBSTITUTED FOR STONE WITH THE APPROVAL OF THE ENGINEER.
3. FOR STONE MASONRY, IT SHALL BE SATISFACTORILY PROTECTED FROM THE SUN AND KEPT WET FOR A PERIOD OF AT LEAST THREE DAYS AFTER COMPLETION.

1. REVISED DPWH MANUAL ON HIGHWAY SAFETY DESIGN STANDARDS, MAY 2013 EDITION
2. FOR ROAD SAFETY PLANNING AND DESIGN ACTIVITIES AS WELL AS ROAD SAFETY MAINTENANCE ACTIVITIES SUCH AS THE PROPER WAY OF INSTALLING/APPLYING ROAD SIGNS, ROAD SAFETY DEVICES AND PAVEMENT MARKINGS
3. LABOUR CODE OF THE PHILIPPINES AND ITS IMPLEMENTING RULES AND REGULATIONS DOLE DO NO. 13, S. 1996, OCCUPATIONAL SAFETY AND HEALTH STANDARDS AND ITS PRECEDENTIAL GUIDELINES
4. FOR MONITORING, ENFORCEMENT AND IMPLEMENTATION OF CONSTRUCTION SAFETY AND HEALTH - DO 56, S. 2005
5. DPWH DESIGN CRITERIA, GUIDELINES AND STANDARDS, 2015
6. GUIDELINES FOR THE PREPARATION OF COST ESTIMATES FOR TRAFFIC MANAGEMENT AND SAFETY & HEALTH REQUIREMENTS FOR SCHOOL BUILDINGS, DO 13, S. 2018.

	REPUBLIC OF THE PHILIPPINES SAN AGUSTIN, Digos CITY, DAVAO DEL SUR
	PROVINCIAL ENGINEER'S OFFICE
PROJECT TITLE: IMPROVEMENT OF FARM TO MARKET ROAD (FMR)	LOCATION: HARADA BUTAI, SULOP, DAVAO DEL SUR
APPROVED BY:  JOSEPH R. GONZALES ENGINEER III Planning and Programming Division Head	DESIGNED & PREPARED BY:  JOSEPH RYAN S. REDOLOSO ENGINEER II
RECOMMENDING APPROVAL:  ANGELIE R. GELLA OIC - Assistant Provincial Engineer (As per Memo, Order No. 22-2023)	APPROVED BY:  YVONNE ROMO CAGAS Provincial Governor
3	13



REPUBLIC OF THE PHILIPPINES
SAN AGUSTIN, DIGOS CITY, DAVAO DEL SUR
PROVINCIAL ENGINEER'S OFFICE

PROJECT TITLE: IMPROVEMENT OF FARM TO MARKET ROAD (FMR)

LOCATION: HARADA BUTAI, SULOP, DAVAO DEL SUR

APPROVED BY: DONALD A. RELLO (ENGINEER I)
DESIGNED & PREPARED BY: JOSEPH RYAN B. REDOLOSO (ENGINEER II)

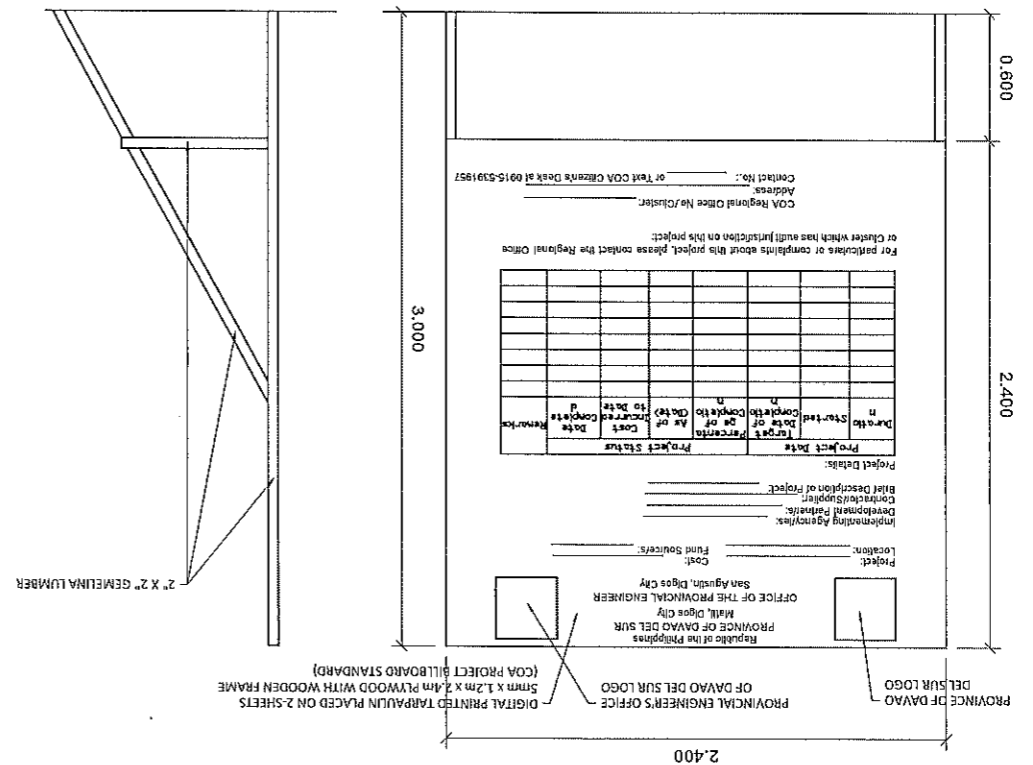
REVIEWED BY: JOSEPH R. DONZALES (ENGINEER III, Planning and Programming Division Head)

RECOMMENDATION APPROVAL: ANGELIE R. GERLA (PGADH - Assistant Provincial Engineer, OIC - Provincial Engineer, Order No. 22-2023)

APPROVED BY: YVONNE ROMA CAGAS (Provincial Governor)

4
13

PROJECT BILLBOARD (COA STANDARD) SCALE



ITEM NO.	DESCRIPTION	QTY	UNIT
SUMMARY OF QUANTITIES			
PART B. OTHER GENERAL REQUIREMENTS			
B.5	Project Billboard/Signboard	2.00	each
B.7(1)	Occupational Safety and Health Program	1.13	months
B.9	Mobilization/Demobilization	1.00	L.S.
PART C. EARTHWORK			
100 (2)	Cleaning & Grubbing	1.00	L.S.
102(2)	Surplus Common Excavation	519.44	cu.m.
104(1)a	Embankment from Roadway Excavation	56.65	cu.m.
105(1)a	Subgrade Preparation (Common Material)	1,927.04	sq.m.
PART D. SUBBASE AND BASE COURSE			
200(1)	Aggregate Subbase Course	578.96	cu.m.
PART E. SURFACE COURSES			
311(1)b1	Portland Cement Concrete Pavement (Unreinforced), 200mm thk.	1,264.63	sq.m.



REPUBLIC OF THE PHILIPPINES
PROVINCIAL ENGINEER'S OFFICE
SAN AGUSTIN, DIGOS CITY, DAVAO DEL SUR

PROJECT TITLE: IMPROVEMENT OF FARM TO MARKET ROAD (FMR)
LOCATION: HARADA BUTAL, SULOP, DAVAO DEL SUR

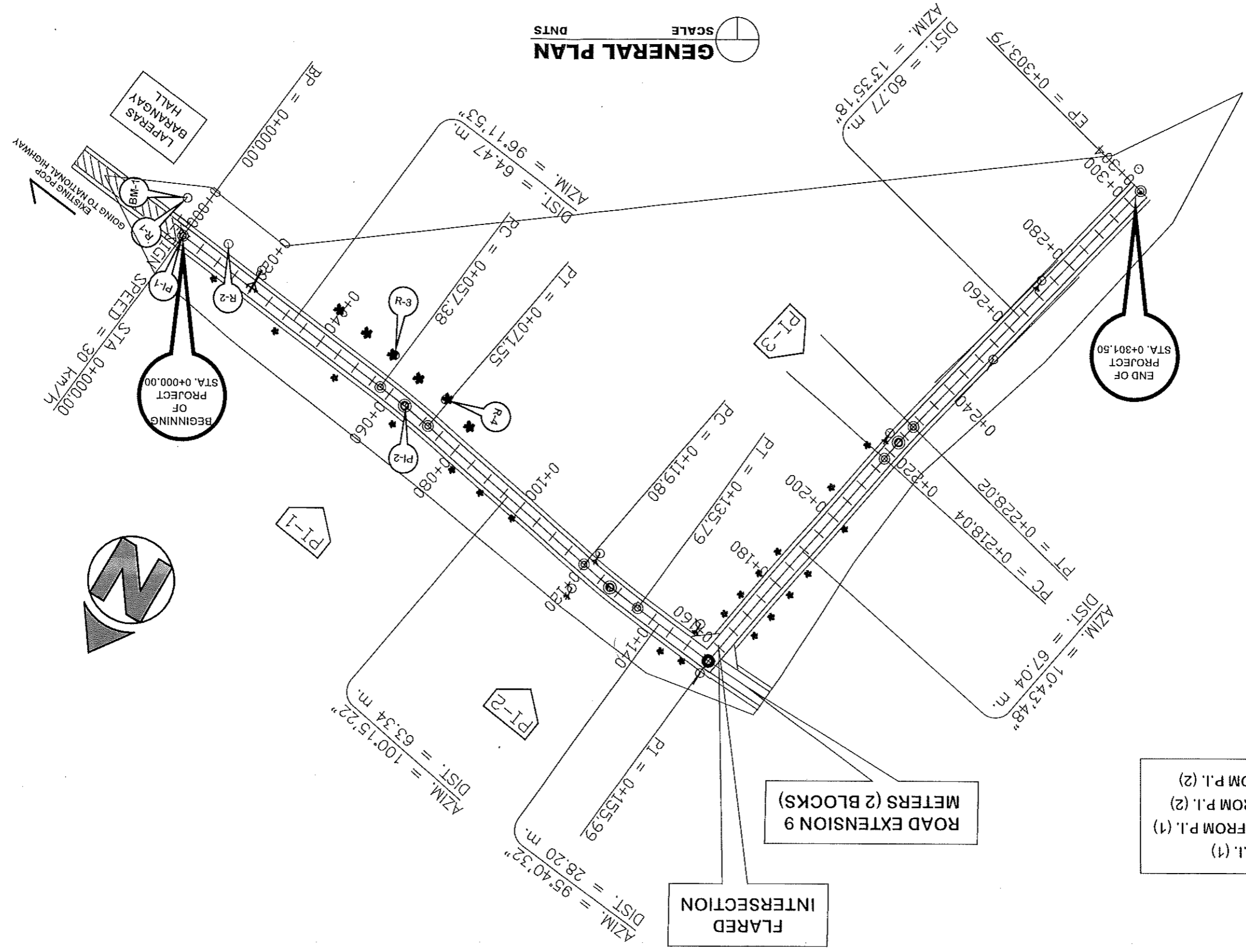
DESIGNED & PREPARED BY: JOSEPH RYAN B. REDOLOSO
ENGINEER II
SURVEYED BY: DONALD A. RELLON
ENGINEER I
REVIEWED BY: JOSEPH R. GONZALES
ENGINEER III
PLANNING AND PROGRAMMING DIVISION HEAD

RECOMMENDING APPROVAL: ANGELIE R. GELLA
PGADH - Assistant Provincial Engineer
QC - Provincial Engineer
(As per Memo, Order No. 22-2023)

APPROVED BY: YVONNE KOLA CAGAS
Provincial Governor

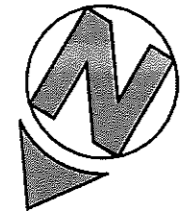
5
13

SCALE
GENERAL PLAN
DNTS



- (R-1) - LUBI - 8.77m FROM P.I. (1)
- (R-2) - TAP STAND - 10.76m FROM P.I. (1)
- (R-3) - MANGGA - 11.69m FROM P.I. (2)
- (R-4) - MANGGA - 9.48m FROM P.I. (2)

BM-1:
LOC 51N 0757089
UTM 0733526
ELEVATION: 35m





REPUBLIC OF THE PHILIPPINES
PROVINCIAL ENGINEER'S OFFICE
SAN AGUSTIN, DIGOS CITY, DAVAO DEL SUR

PROJECT TITLE: IMPROVEMENT OF FARM TO MARKET ROAD (FMR)
LOCATION: HARADA BUTAI, SULOP, DAVAO DEL SUR

DESIGNED & PREPARED BY: JOSEPH RYAN B. REDOLOSO
ENGINEER II

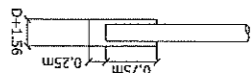
REVIEWED BY: DONALD A. RELLON
ENGINEER I

RECOMMENDING APPROVAL: ANGELIE R. GELIA
PGADH - Assistant Provincial Engineer
OIC - Provincial Engineer
(As per Memo, Order No. 22-2023)

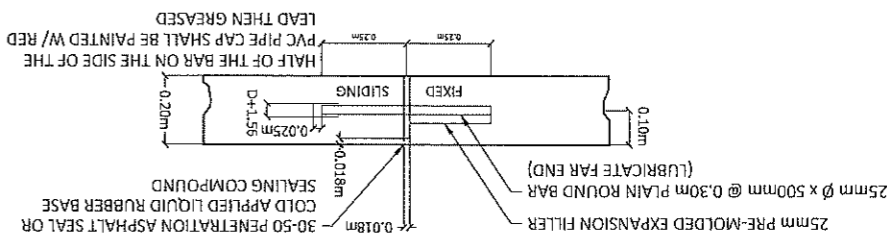
APPROVED BY: YVONNE ROMA CAGAS
PROVINCIAL GOVERNOR

6
13

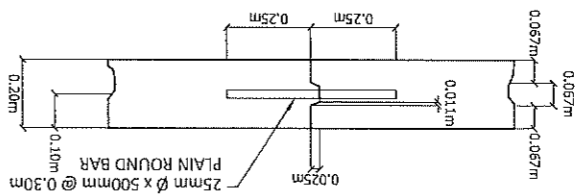
SCALE: 1:10m
METAL DOWEL CAP DETAIL



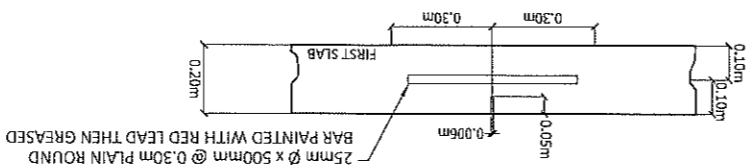
SCALE: 1:20m
TYPICAL EXPANSION JOINT
TO BE PLACED EVERY 36.00 M. O.C.



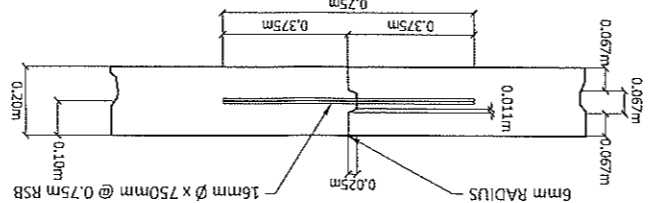
SCALE: 1:20m
KEYED TRANSVERSE CONST. JOINT
TO BE PLACED ONLY IN MIDDLE THIRD OF NORMAL JOINT INTERVAL



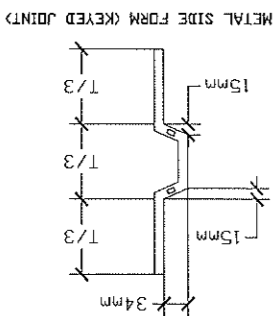
SCALE: 1:20m
BUTT TRANSVERSE CONSTRUCTION OR CONTRACT JOINT



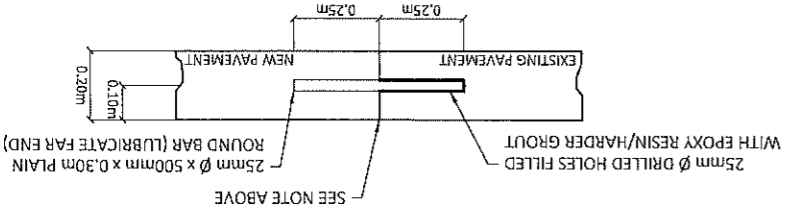
SCALE: 1:20m
LONGITUDINAL CONST. JOINT
TO BE USED FOR HALF WIDTH OR LANE AT TIME OF CONSTRUCTION



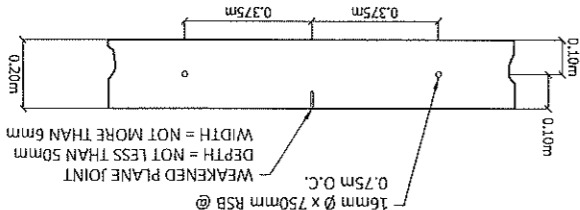
NOT TO SCALE
DETAIL OF SIDE FORMS



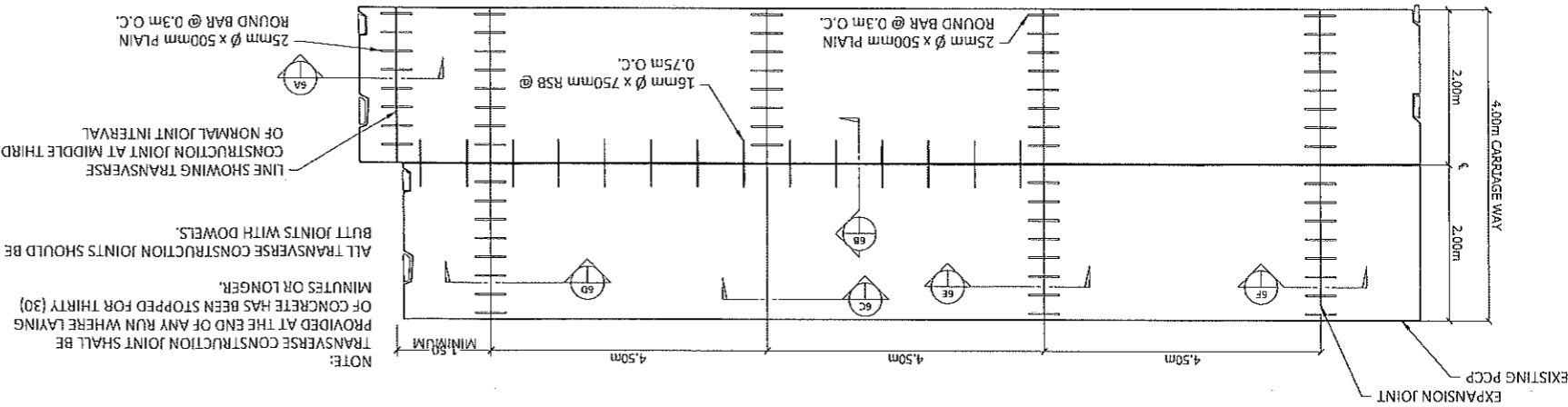
SCALE: 1:20m
CONSTRUCTION JOINT



SCALE: 1:20m
WEAKENED PLANE JOINT



SCALE: 1:100m
TYPICAL PLAN OF TWO-LANE PAVEMENT



- NOTE: TRANSVERSE CONSTRUCTION JOINT SHALL BE PROVIDED AT THE END OF ANY RUN WHERE LAYING OF CONCRETE HAS BEEN STOPPED FOR THIRTY (30) MINUTES OR LONGER.
1. MATERIALS AND WORKMANSHIP SHALL CONFORM WITH THE "GENERAL SPECIFICATIONS FOR ROADS AND BRIDGES" 2013.
 2. CONSTRUCTION JOINTS ARE FORMED WHEN CONCRETE ON ONE SIDE OF THE JOINT IS POURED AHEAD AND ALLOWED TO SET BEFORE POURING ON THE OTHER SIDE.
 3. AT CONSTRUCTION JOINT (LONGITUDINAL OR TRANSVERSE), CARE SHOULD BE TAKEN THAT NO CONCRETE FROM THE LAST SLAB PLACED OVERHANGS ANY PORTION OF FIRST SLAB.
 4. THE BARS SHOULD BE DEFORMED STEEL BARS. ALL DOWEL BARS SHALL BE SMOOTH ROUND STEEL BAR FREE FROM RUST AND OTHER DEFECTS (REFER TO CLAUSE 3.1.3.12 THE STANDARD SPECIFICATION FOR ROAD AND BRIDGES 1995).
 5. BARS SHALL BE GRADE 40, ALL CONCRETE SHALL BE CLASS "A" CONCRETE, PORTLAND CEMENT TYPE 1.
 6. TYPE OF WEAKENED PLANE JOINT TO BE USED SHALL BE AS SPECIFIED IN THE PLANS AND ONLY ONE TYPE SHALL BE USED FOR THE WHOLE PROJECT.
 7. MATERIAL FOR THE METAL SIDE FORM SHALL BE BRAND NEW SHEET METAL GAUGE NO. 18 OF BLACK IRON FREE.
 8. AT LEAST SIX (6) SUCCESSIVE DOWELED BUTT JOINTS AT NORMAL JOINT SPACING SHALL BE PROVIDED BEFORE OR AFTER AN EXPANSION JOINT.
 9. THE DEPTH OF THE WEAKENED PLANE JOINT SHOULD AT ALL TIMES NOT LESS THAN 50mm, WHILE THE WIDTH SHOULD NOT BE MORE THAN 6mm.
 10. THE GROOVE OR CRACK ABOVE JOINTS (LONGITUDINAL OR TRANSVERSE) SHALL BE SEALED WITH 30-50 PENETRATION ASPHALT SEAL OR COLD APPLIED LIQUID RUBBER COMPOUND AFTER THE CONCRETE HAD BEEN CURED AND BEFORE OPENING THE PAVEMENT TO TRAFFIC. PENETRATION ASPHALT SEAL ON CONCRETE PAVEMENT JOINTS SHALL BE POURED IN SUCH MANNER THAT SPILLING WILL BE ELIMINATED/PREVENTED, THUS PROVIDING A SMOOTH LEVELING/RIDING SURFACE.
 11. ALL TRANSVERSE JOINTS, EXCEPT CONSTRUCTION JOINTS, SHALL BE CONTINUOUS FROM EDGE TO EDGE.
 12. ALL LONGITUDINAL JOINTS SHALL MEET AT INTERSECTIONS WITH NO GAP OR OFFSETS.
 13. ALL DIMENSIONS ARE IN MILLIMETER UNLESS OTHERWISE SPECIFIED.
 14. AVOID STOPPAGE OF FRAMEWORKS ALONG CURVES.
 15. CONSTRUCT EXPANSION JOINT AT EVERY 90 METERS AND OR AT EVERY ADJACENT EXISTING STRUCTURES.
 16. WAX BASED CURING COMPOUND SHOULD CONFORM TO ASTM - C 156, ASTM - C 309 - 07, TYPE - 2.



REPUBLIC OF THE PHILIPPINES
 SAN AGUSTIN, Digos City, Davao del Sur
PROVINCIAL ENGINEER'S OFFICE

PROJECT TITLE: **IMPROVEMENT OF FARM TO MARKET ROAD (FMR)**
 LOCATION: **HARADA BUTAI, SULOP, DAVAO DEL SUR**

DESIGNED & PREPARED BY: **JOSEPH RYAN B. REDOLOSO**
 ENGINEER II
 REVIEWED BY: **DONALD A. RELLO**
 ENGINEER I

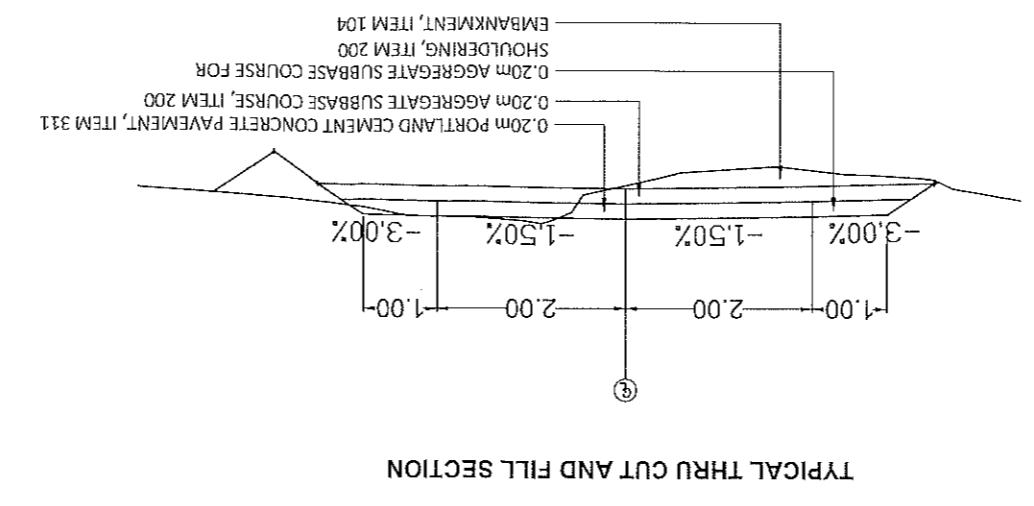
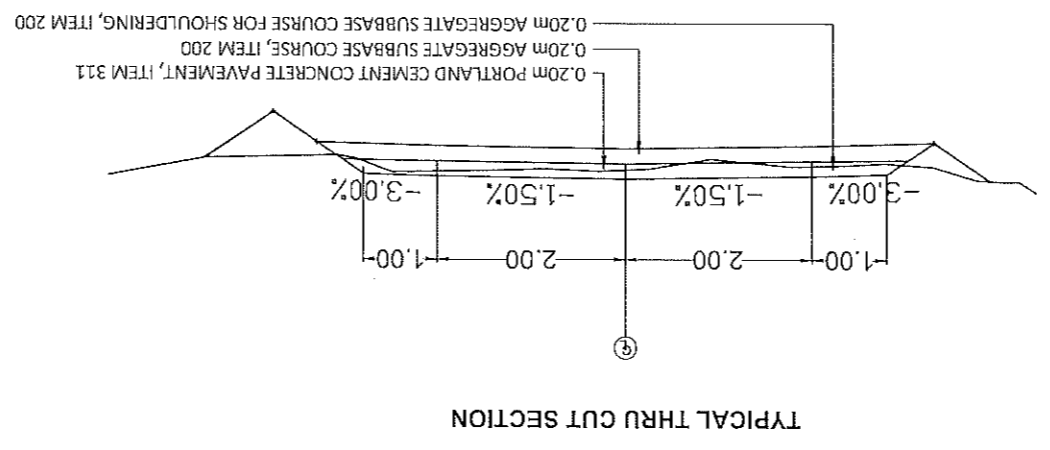
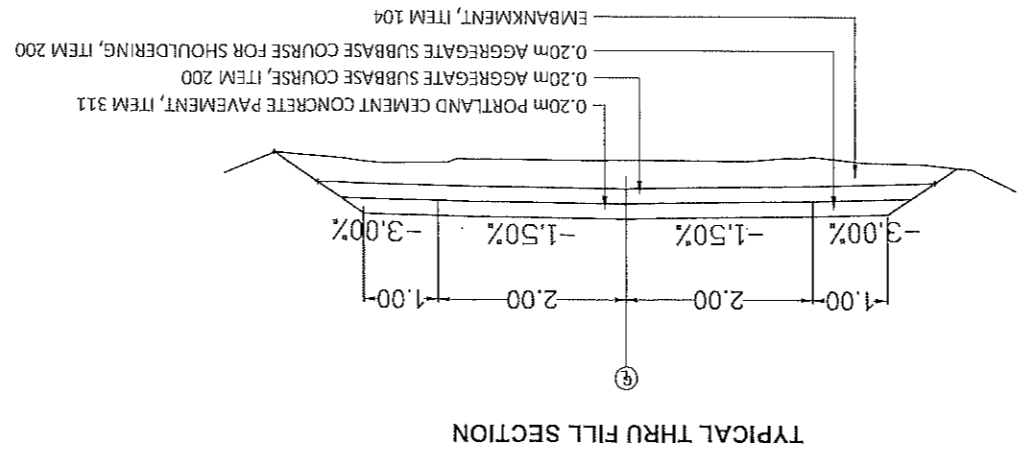
REVIEWED BY: **JOSEPH K. GONZALES**
 ENGINEER III
 Planning and Programming Division Head

RECOMMENDING APPROVAL: **ANGELIE R. GELLA**
 PGADH - Assistant Provincial Engineer
 OIC - Provincial Engineer
 (As per Memo. Order No. 22-2023)

APPROVED BY: **YVONNE RONA CAGAS**
 Provincial Governor

7
 13

TYPICAL ROADWAY SECTIONS





REPUBLIC OF THE PHILIPPINES
 PROVINCIAL ENGINEER'S OFFICE
 SAN AGUSTIN, DIGOS CITY, DAVAO DEL SUR

PROJECT TITLE: IMPROVEMENT OF FARM TO MARKET ROAD (FMR)
 LOCATION: HARADA BUTAL, SULOP, DAVAO DEL SUR

DESIGNED & PREPARED BY: JOSEPH RYAN B. REDOLOSO
 ENGINEER II
 SURVEYED BY: DONALD A. RELLO
 ENGINEER I

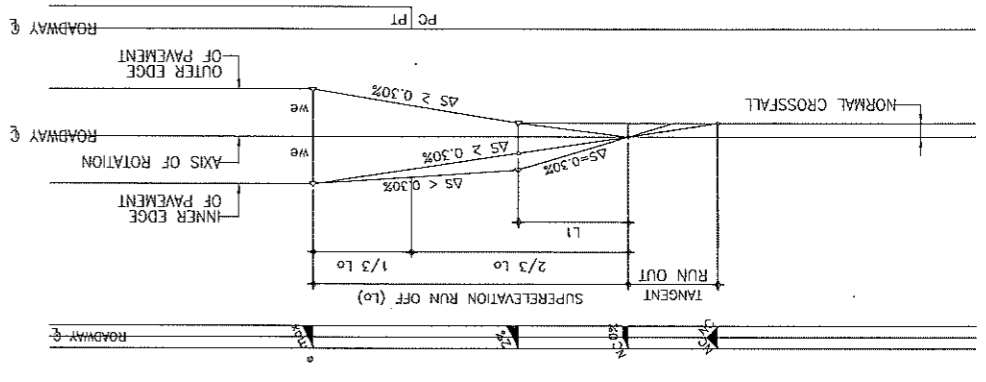
REVIEWED BY: JOSEPH R. GONZALES
 ENGINEER III
 Planning and Programming Division Head

RECOMMENDING APPROVAL: ANGELIE R. GELLA
 PGADH - Assistant Provincial Engineer
 OIC - Provincial Engineer
 (As per Memo, Order No. 22-2023)

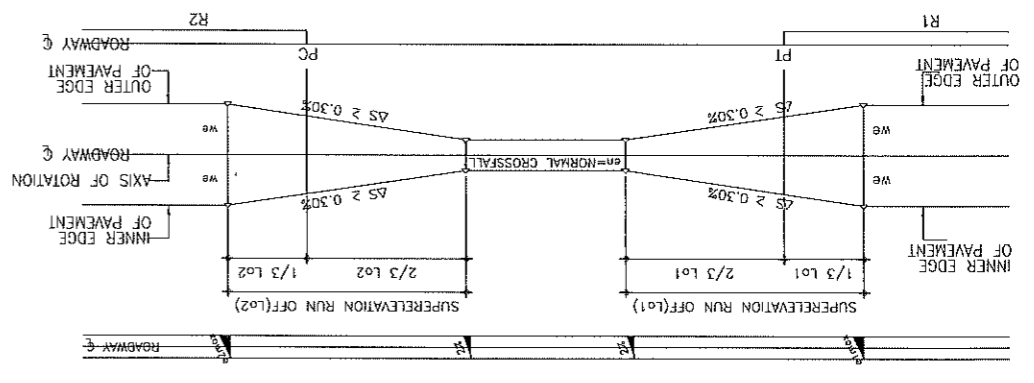
APPROVED BY: YVONNE RONQ CAGAS
 Provincial Governor

8
 13

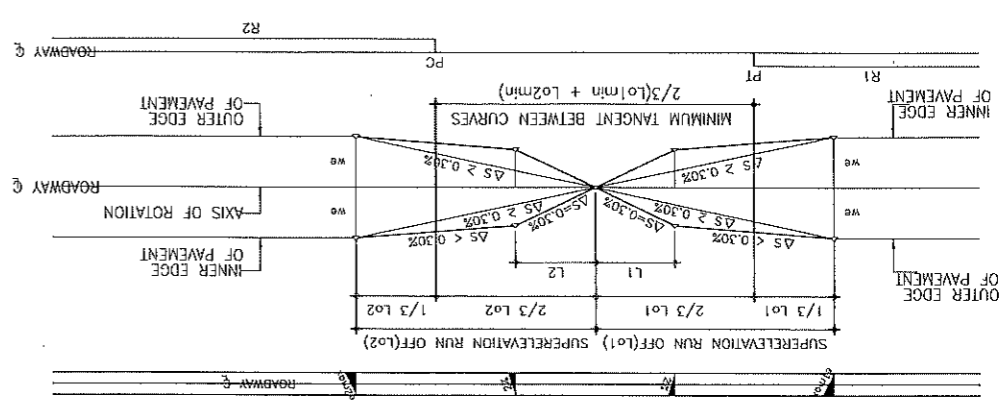
TRANSITION: STRAIGHT - CIRCULAR CURVE CASE 1



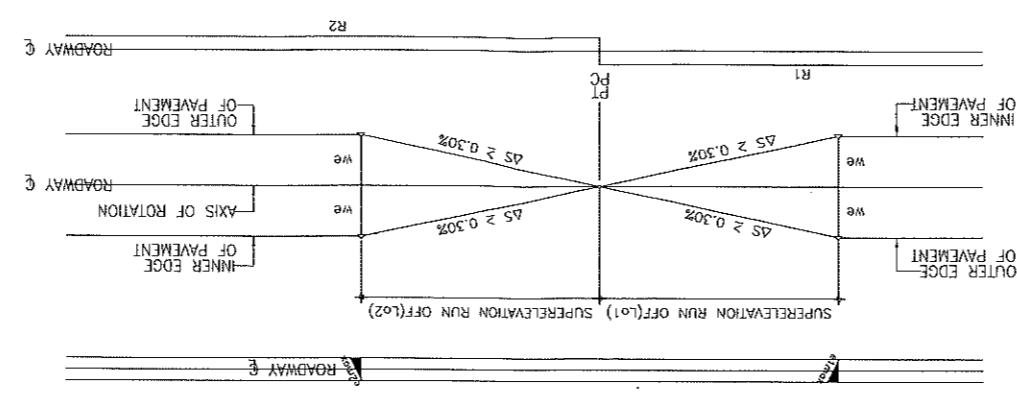
TRANSITION: CIRCULAR CURVE - STRAIGHT - CIRCULAR CURVE CASE 2



TRANSITION: CIRCULAR CURVE - MINIMUM STRAIGHT - CIRCULAR CURVE CASE 3



TRANSITION: CIRCULAR CURVE - CIRCULAR CURVE CASE 4



1. FOR EFFECTIVE DRAINAGE, THE SLOPE OF EDGE OF PAVEMENT (AS) SHALL BE $\geq 0.30\%$ BETWEEN + 2% GRADE.
2. $e = e_{max}$. CAN BE TAKEN FROM TABLE OF DESIGN VALUE FOR SUPERELEVATION.
3. THE SLOPE OF SHOULDER SHALL ALWAYS FALL IN THE DIRECTION OF THE OUTSIDE EDGE OF THE TRAVELLED WAY.
4. WHEN THE SUPERELEVATION IS GREATER THAN 3% THEN THE SLOPE OF LOWER SHOULDER SHALL BE THE SAME AS FOR THE TRAVELLED WAY.
5. WHEN SUPERELEVATION IS 4% OR LESSER, THEN THE LOWER SHOULDER SHALL HAVE A SLOPE OF 3%.
6. IF THE SUPERELEVATION IS 5%, THEN THE CROSS SLOPE OF THE HIGHER SHOULDER WILL BE 1%.
7. THE CROSS SLOPE OF SUBBASE IS ALWAYS FALLING IN THE SAME DIRECTION AS THE ROADWAY.
8. ALGEBRAIC DIFFERENCE OF CROSSOVER SHOULD NOT EXCEED 7%.
9. IN ORDER TO DISTINGUISH WHICH SIDE OF THE ROADWAY IS TILTED; FULL LINE REPRESENTS LEFT SIDE, WHILE DOTTED LINE REPRESENTS RIGHT SIDE.

NOTES:

- LEGEND:
- AS - SLOPE OF EDGE OF PAVEMENT IN %
 - Lo - SUPERELEVATION AT NORMAL CROWN RATE IN %
 - NC - FULL SUPERELEVATION IN %
 - e - SUPERELEVATION RATE IN %
 - L1 or L2 - LENGTH BETWEEN SUPERELEVATION 0% AND NC
 - NC - NORMAL CROWN
 - w - LANE WIDTH

MINIMUM RADII FOR DESIGN SUPERELEVATION RATES, DESIGN SPEEDS & $e_{max} = 8.0\%$

Design Speed (km/h)	20	30	40	50	60	70	80	90
VD=20 Km/h	1470	1350	1240	1150	1080	1020	960	900
VD=30 Km/h	2440	1790	1620	1470	1350	1240	1150	1080
VD=40 Km/h	3220	2420	2140	1920	1740	1600	1480	1380
VD=50 Km/h	4000	2900	2520	2240	2020	1860	1720	1600
VD=60 Km/h	4880	3500	3000	2640	2360	2160	2000	1860
VD=70 Km/h	5760	4100	3500	3040	2720	2480	2280	2120
VD=80 Km/h	6640	4700	4000	3440	3080	2800	2560	2360
VD=90 Km/h	7520	5300	4500	3840	3400	3080	2800	2560

Design Speed (km/h)	20	30	40	50	60	70	80	90
MAXIMUM RELATIVE GRADIENTS (AND EQUIVALENT CENTERLINE (%))	0.80	0.75	0.70	0.65	0.60	0.55	0.50	0.47

THE EDGE OF TWO-LANE TRAVELLED WAY AND THE



REPUBLIC OF THE PHILIPPINES
PROVINCIAL ENGINEER'S OFFICE
SAN AGUSTIN, DIGOS CITY, DAVAO DEL SUR

PROJECT TITLE: IMPROVEMENT OF FARM TO MARKET ROAD (FMR)
LOCATION: HARADA BUTAI, SULOP, DAVAO DEL SUR

DESIGNED & PREPARED BY: JOSEPH RYAN B. REDOLOSO
ENGINEER II
REVIEWED BY: DONALD A. RELLO
ENGINEER I

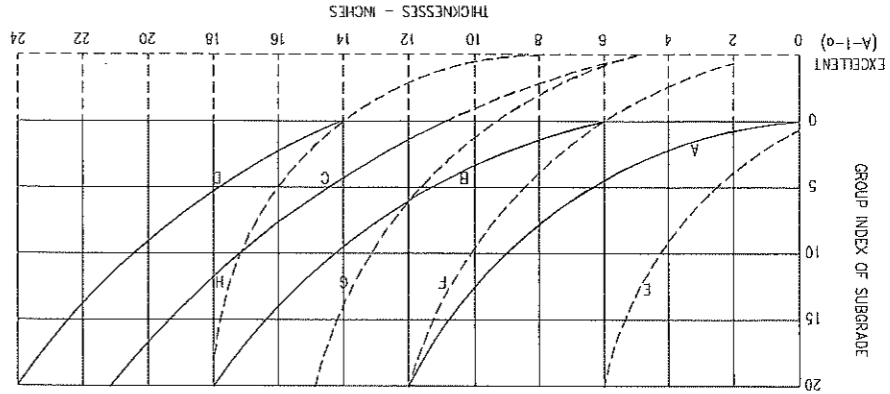
REVIEWED BY: JOSEPH R. GONZALES
ENGINEER III
Planning and Programming Division Head

RECOMMENDATIONS APPROVAL: ANGELIE R. GELLA
GADH - Assistant Provincial Engineer
OIC - Provincial Engineer
(as per Memo, Order No. 22-2023)

APPROVED BY: YVONNE KONA CAGAS
Provincial Governor

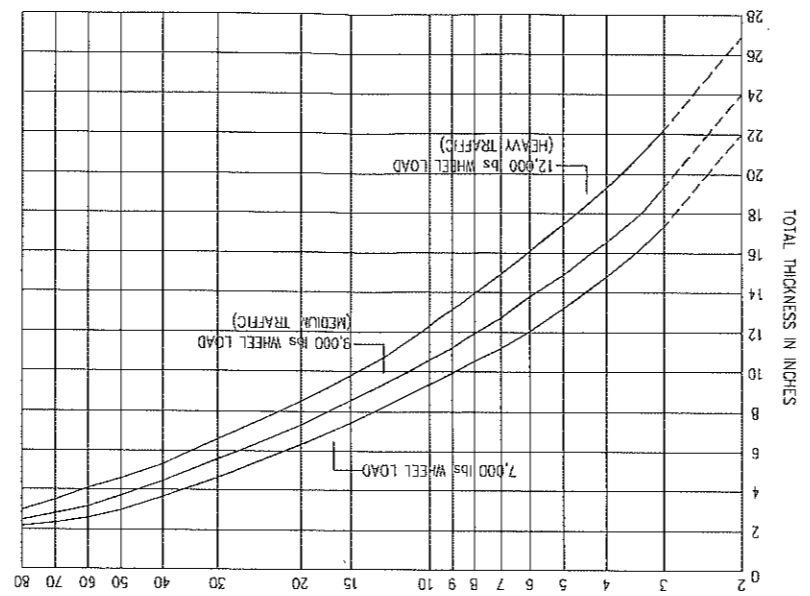
13
9

CURVE A. THICKNESSES OF SELECTED MATERIAL SUBBASE ONLY.
CURVE B. COMBINED THICKNESSES OF SURFACE, BASE AND SELECTED MATERIAL SUBBASE - LIGHT TRAFFIC.
CURVE C. COMBINED THICKNESSES OF SURFACE, BASE AND SELECTED MATERIAL SUBBASE - MEDIUM TRAFFIC.
CURVE D. COMBINED THICKNESSES OF SURFACE, BASE AND SELECTED MATERIAL SUBBASE - HEAVY TRAFFIC.
CURVE E. THICKNESS OF ADDITIONAL BASE WHICH MAY BE SUBSTITUTED FOR SUBBASE OF CURVE A.
CURVE F. COMBINED THICKNESSES OF SURFACE, BASE (NO SUBBASE) - LIGHT TRAFFIC.
CURVE G. COMBINED THICKNESSES OF SURFACE, BASE (NO SUBBASE) - MEDIUM TRAFFIC.
CURVE H. COMBINED THICKNESSES OF SURFACE, BASE (NO SUBBASE) - HEAVY TRAFFIC.



GROUP INDEX = SUM OF READING ON VERTICAL SCALE OF CHARTS 1 AND 2
FORMULA: GROUP INDEX = 0.2a + 0.005 ac + 0.01 bd IN WHICH
a = THAT PORTION OF PERCENTAGE PASSING NO. 200 SIEVE GREATER THAN 35 AND NOT EXCEEDING 75, EXPRESSED AS POSITIVE WHOLE NUMBER - (1 TO 40)
b = THAT PORTION OF PERCENTAGE PASSING NO. 200 SIEVE GREATER THAN 15 AND NOT EXCEEDING 55, EXPRESSED AS A POSITIVE WHOLE NUMBER - (1 TO 40)
c = THAT PORTION OF THE NUMERICAL LIQUID LIMIT GREATER THAN 40 AND NOT EXCEEDING 60, EXPRESSED AS A POSITIVE WHOLE NUMBER - (1 TO 20)
d = THAT PORTION OF THE NUMERICAL PLASTICITY INDEX GREATER THAN 10 AND NOT EXCEEDING 30, EXPRESSED AS A POSITIVE WHOLE NUMBER - (1 TO 20)

DESIGN PARAMETERS FOR PAVEMENT



- RIGID PAVEMENT DESIGN PARAMETERS**
- 1 - CUMULATIVE EQUIVALENT STD. AXLE LOAD, CESAL (W18) = 8,500,608.00
 - 2 - DESIGN LIFE = 20 YEARS
 - 3 - ASSUMED TRAFFIC GROWTH RATE, TGR = 4.0 %
 - 4 - SUBGRADE CBR = 6.15 %
 - 5 - RESILIENT MODULUS, MR = 9,105.00 psi
 - 6 - RELIABILITY, R = 85.00 %
 - 7 - Z_α = -1.037
 - 8 - OVERALL STANDARD DEVIATION, S_o = 0.35
 - 9 - INITIAL SERVICEABILITY INDEX, P_o = 4.60
 - 10 - TERMINAL SERVICEABILITY INDEX, P_t = 2.00
 - 11 - PRESENT SERVICEABILITY INDEX, PSI = 2.50
 - 12 - PCCP MODULUS OF ELASTICITY, E_c (4,000 psi at 28 DAYS) = 3604996.533 psi
 - 13 - PCCP MODULUS OF RUPTURE, S_c (650 psi at 28 DAYS) = 751.00 psi
 - 14 - DRAINAGE COEFFICIENT, C_D = 0.9
 - 15 - LOAD TRANSFER COEFFICIENT, J = 3.8
 - 16 - LOSS OF SUPPORT, I_s = 1
 - 17 - EFFECTIVE MODULUS OF SUBGRADE REACTION, k = 15.2 psi
 - 18 - REQUIRED PCCP THICKNESS = 200 mm.
 - 19 - REQUIRED SUBBASE THICKNESS = 200 mm.

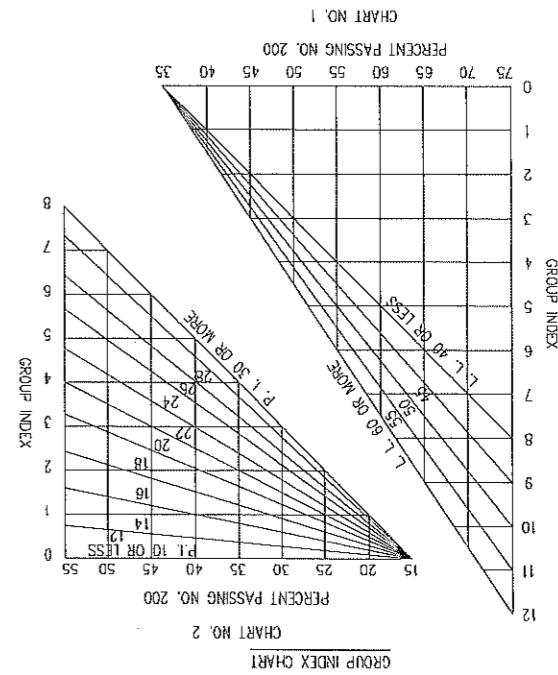


CHART SHOWING TOTAL PAVEMENT THICKNESSES (SURFACE, BASE & SUBBASE) BASED ON TRUCK TRAFFIC VOLUME & GROUP INDEX OF SUBGRADE

GROUP INDEX	THICKNESSES (INCHES)
EXCELLENT (A-1-0)	150mm
GOOD (0-1)	230mm
FAIR (2-4)	300mm
POOR (5-9)	300mm
VERY POOR (10-20)	300mm

AGGREGATE SUB-BASE THICKNESSES VARY WITH SURFACE AND BASE THICKNESSES VARY WITH VOLUME OF TRUCK TRAFFIC

CLASSIFICATION OF HIGHWAY SUBGRADE MATERIALS (WITH SUBGRADE SUBGROUP)

GENERAL CLASSIFICATION	GROUP CLASSIFICATION	SIEVE ANALYSIS PERCENT PASSING NO. 10	NO. 40	NO. 200	CHARACTERISTICS OF FRACTION	PLASTICITY INDEX	GROUP INDEX	USUAL TYPES OF SIGNIFICANT CONSTITUENT MATERIALS	GENERAL RATING AS SUBGRADE
SILT-CLAY MATERIALS (MORE THAN 35% PASSING NO. 200)	A-1	100	100	100	50 MAX 50 MAX 50 MAX	NP	0	GRAVEL AND SAND	EXCELLENT TO GOOD
	A-2	100	100	100	50 MAX 50 MAX 50 MAX	NP	0	GRAVEL AND SAND	EXCELLENT TO GOOD
GRANULAR MATERIALS (35% OR LESS PASSING NO. 200)	A-1-a	100	100	100	50 MAX 50 MAX 50 MAX	NP	0	GRAVEL AND SAND	EXCELLENT TO GOOD
	A-1-b	100	100	100	50 MAX 50 MAX 50 MAX	NP	0	GRAVEL AND SAND	EXCELLENT TO GOOD
	A-3	100	100	100	50 MAX 50 MAX 50 MAX	NP	0	GRAVEL AND SAND	EXCELLENT TO GOOD
	A-2-4	100	100	100	50 MAX 50 MAX 50 MAX	NP	0	GRAVEL AND SAND	EXCELLENT TO GOOD
	A-2-5	100	100	100	50 MAX 50 MAX 50 MAX	NP	0	GRAVEL AND SAND	EXCELLENT TO GOOD
	A-2-6	100	100	100	50 MAX 50 MAX 50 MAX	NP	0	GRAVEL AND SAND	EXCELLENT TO GOOD
	A-2-7	100	100	100	50 MAX 50 MAX 50 MAX	NP	0	GRAVEL AND SAND	EXCELLENT TO GOOD
	A-4	100	100	100	50 MAX 50 MAX 50 MAX	NP	0	GRAVEL AND SAND	EXCELLENT TO GOOD
	A-5	100	100	100	50 MAX 50 MAX 50 MAX	NP	0	GRAVEL AND SAND	EXCELLENT TO GOOD
	A-6	100	100	100	50 MAX 50 MAX 50 MAX	NP	0	GRAVEL AND SAND	EXCELLENT TO GOOD
A-7	100	100	100	50 MAX 50 MAX 50 MAX	NP	0	GRAVEL AND SAND	EXCELLENT TO GOOD	

CLASSIFICATION PROCEDURE:
WITH REQUIRED TEST DATA AVAILABLE, PROCEED FROM LEFT TO RIGHT ON ABOVE CHART AND CORRECT GROUP WILL BE FOUND BY PROCESS OF ELIMINATION. THE FIRST GROUP FROM LEFT INTO WHICH THE TEST WILL FIT IS THE CORRECT CLASSIFICATION.
PLASTICITY INDEX OF A-5 SUBGROUP IS EQUAL TO OR LESS THAN 11 MINUS 30. PLASTICITY INDEX OF A-7-6 SUBGROUP IS GREATER THAN 11 MINUS 30.
*SEE GROUP INDEX CHART AND FORMULAE FOR METHOD OF CALCULATION. GROUP INDEX SHOULD BE SHOWN IN PARENTHESES AFTER GROUP SYMBOL AS: A-2-6(3), A-4(5), A-6(12), A-7-5(17), ETC.



REPUBLIC OF THE PHILIPPINES
 SAN AGUSTIN, Digos City, Davao del Sur
PROVINCIAL ENGINEER'S OFFICE

PROJECT TITLE: **IMPROVEMENT OF FARM TO MARKET ROAD (FMR)**
 LOCATION: **HARADA BUTAI, SULOP, DAVAO DEL SUR**

DESIGNED & PREPARED BY: **JOSEPH RYAN B. REDOLOSO**
 ENGINEER II
 REVIEWED BY: **DONALD A. RELLO**
 ENGINEER I

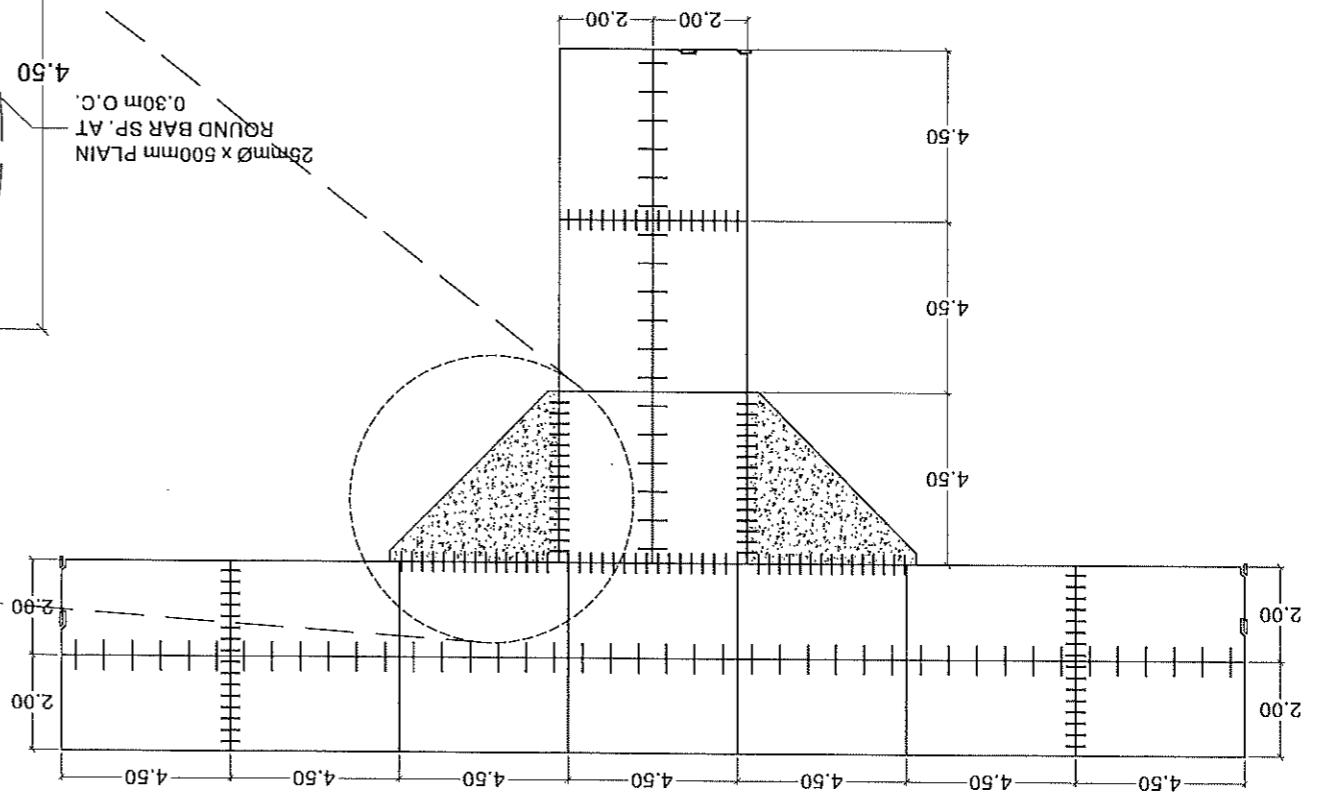
REVIEWED BY: **JOSEPH R. GONZALES**
 ENGINEER III
 Planning and Programming Division Head

RECOMMENDING APPROVAL: **ANGELIE R. GELLA**
 PGADH - Assistant Provincial Engineer
 OIC - Provincial Engineer
 (As per Memo, Order No. 22-2023)

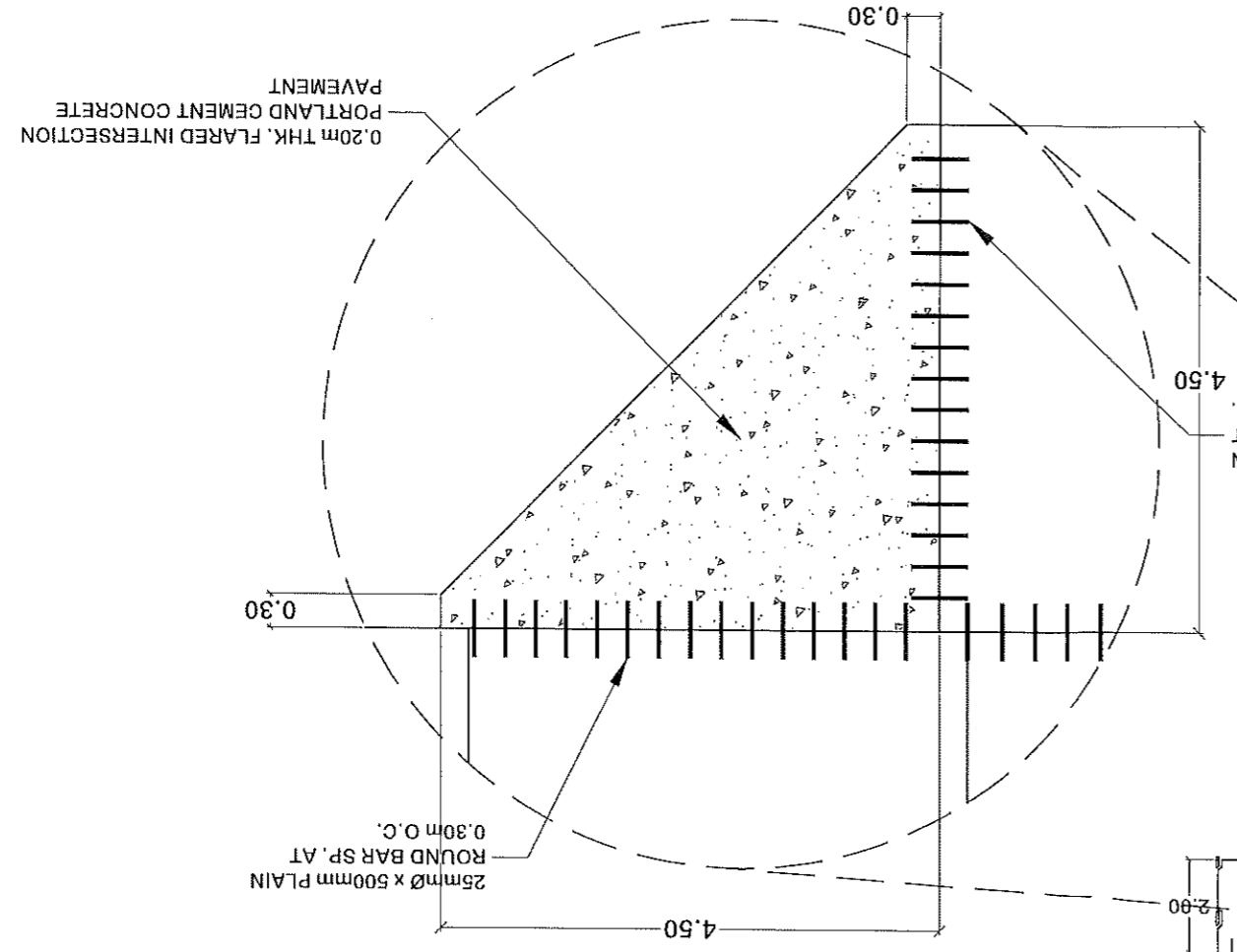
APPROVED BY: **YVONNE ROMA CAGAS**
 Provincial Governor

10
 13

TYPICAL FLARED INTERSECTION DETAILS
 SCALE 1:200



SPOT DETAIL
 SCALE DNTS



0.20m THK. FLARED INTERSECTION
 PORTLAND CEMENT CONCRETE
 PAVEMENT

25mm ϕ x 500mm PLAIN
 ROUND BAR SP. AT
 0.30m O.C.

25mm ϕ x 500mm PLAIN
 ROUND BAR SP. AT
 0.30m O.C.



REPUBLIC OF THE PHILIPPINES
 PROVINCIAL ENGINEER'S OFFICE
 SAN AGUSTIN, DIGOS CITY, DAVAO DEL SUR

PROJECT TITLE: **IMPROVEMENT OF FARM TO MARKET ROAD (FMR)**
 LOCATION: **HARADA BUTAI, SULOP, DAVAO DEL SUR**

DESIGNED & PREPARED BY: **JOSEPH RYAN B. REDOLOSO**
 ENGINEER II
 REVIEWED BY: **DONALD A. RELLON**
 ENGINEER I

REVIEWED BY: **JOSEPH R. GONZALES**
 ENGINEER III
 Planning and Programming Division Head

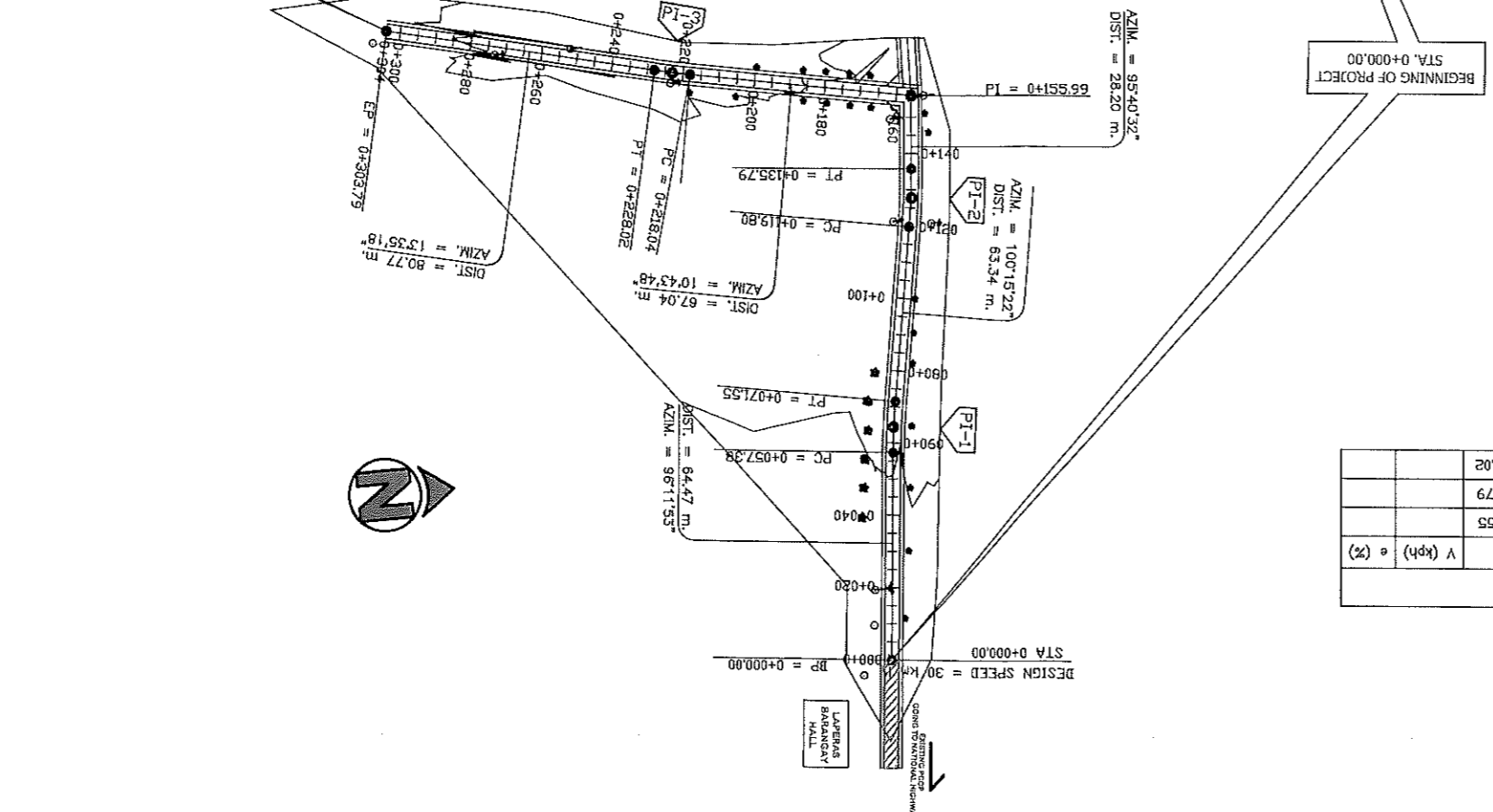
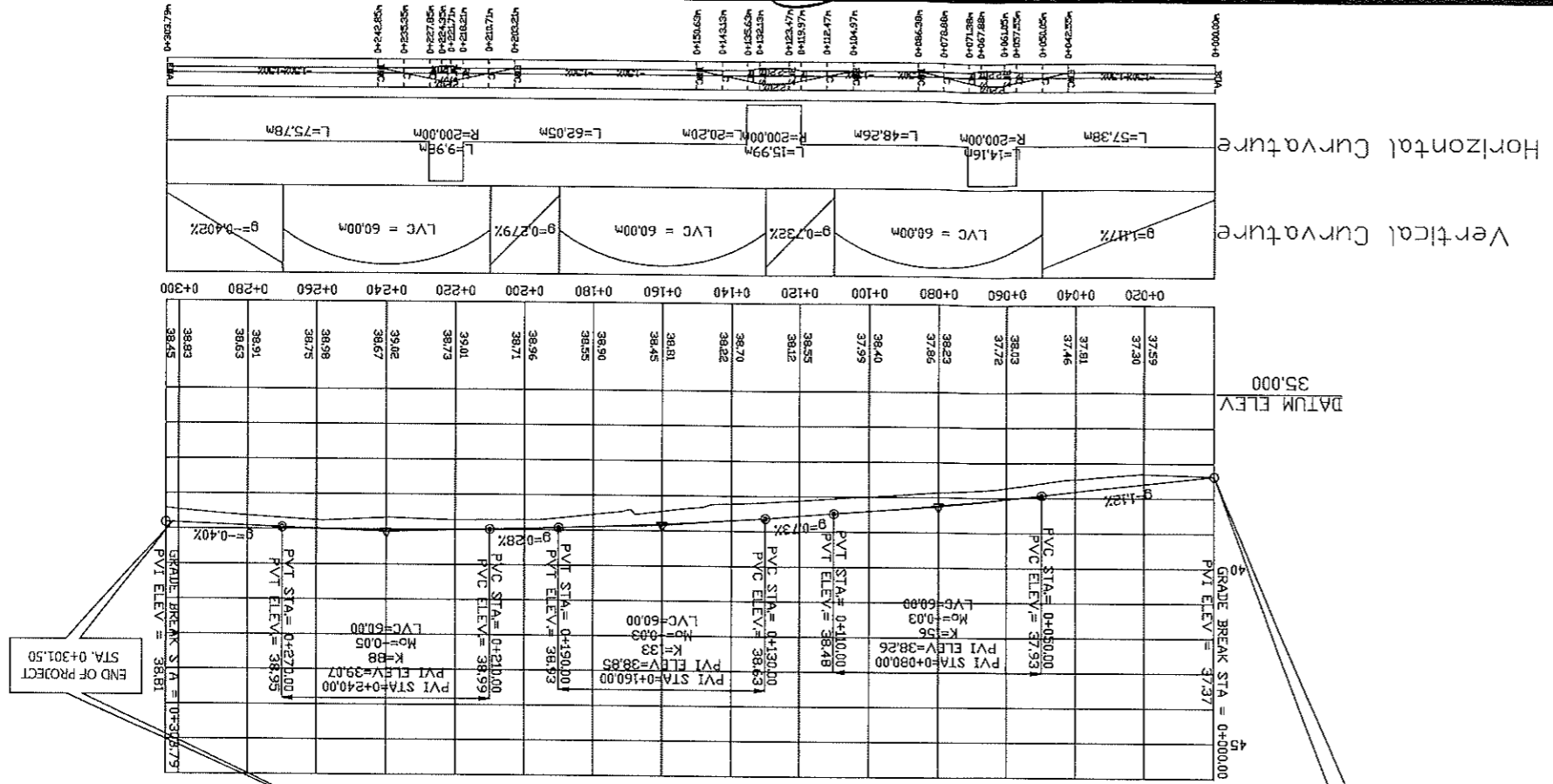
RECOMMENDING APPROVAL: **ANGELIE R. GILLA**
 GADH - Assistant Provincial Engineer
 OIC - Provincial Engineer
 (As per Memo, Order No. 22-2023)

APPROVED BY: **YVONNE ROME CAGAS**
 Provincial Governor

11 / 13

ELEMENTS OF CURVE

PI NO.	PI STATION	NORTHING	EASTING	I	R	T	E	Lc	PT	V (kph)	e (%)
PI-1	0+064.47	757,087.915	733,472.517	4°03'29"	200.00	7.09	0.13	14.16	0+057.38	0+071.55	
PI-2	0+127.80	757,098.593	733,410.188	4°34'50"	200.00	8.00	0.16	15.99	0+119.80	0+135.79	
PI-3	0+223.03	757,035.513	733,369.649	2°51'31"	200.00	4.99	0.06	9.98	0+218.04	0+228.02	



DESIGN SPEED = 30 Km
 LATERALS SHALL BE CONFORM TO NATIONAL REQUIREMENTS



REPUBLIC OF THE PHILIPPINES
 PROVINCIAL ENGINEERS' OFFICE
 SAN AGUSTIN, DIGOS CITY, DAVAO DEL SUR

PROJECT TITLE: **IMPROVEMENT OF FARM TO MARKET ROAD (FMR)**
 LOCATION: **HARADA BUTAI, SULOP, DAVAO DEL SUR**

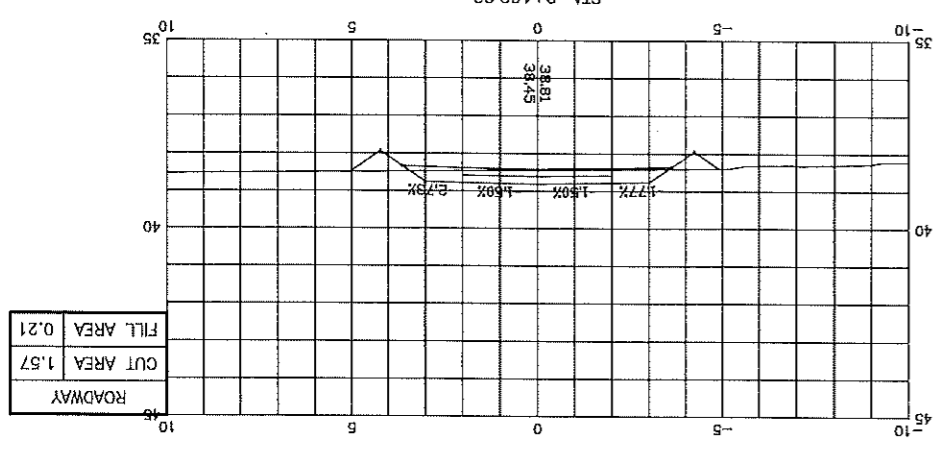
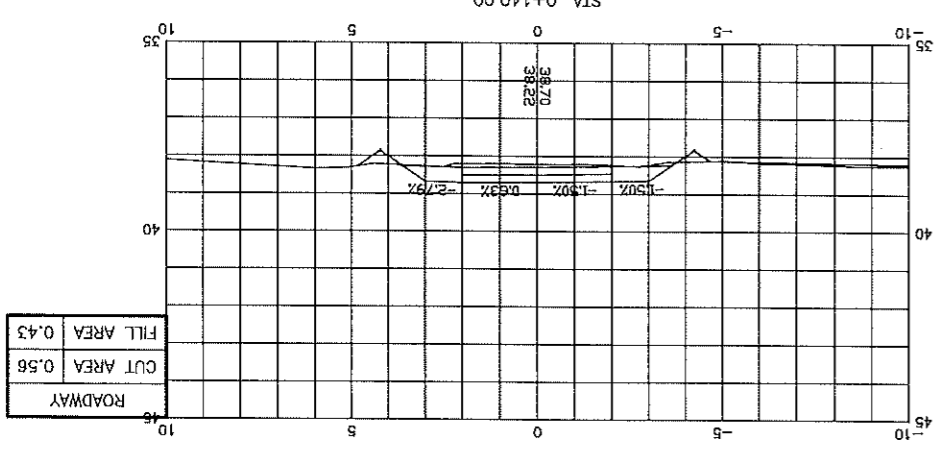
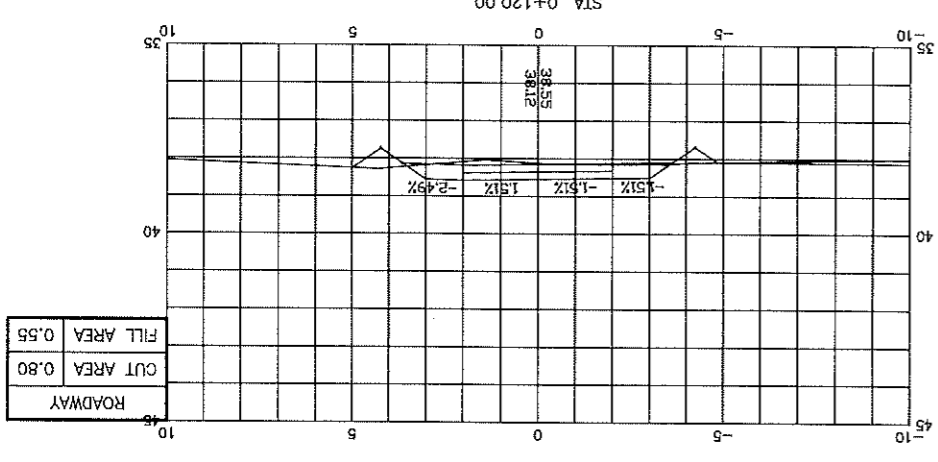
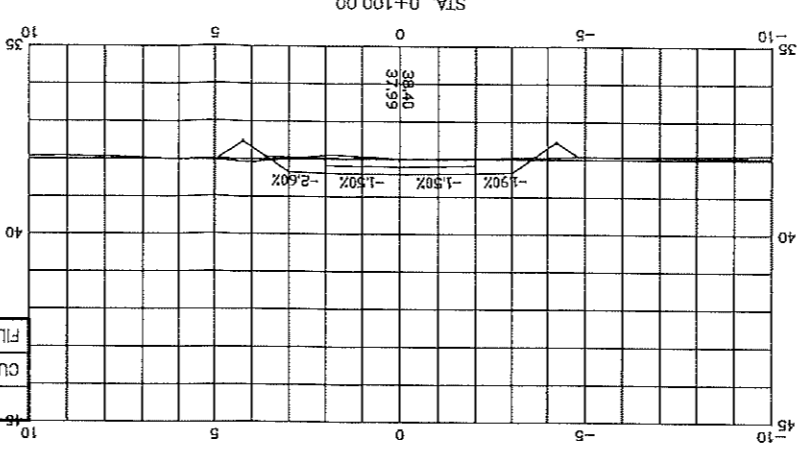
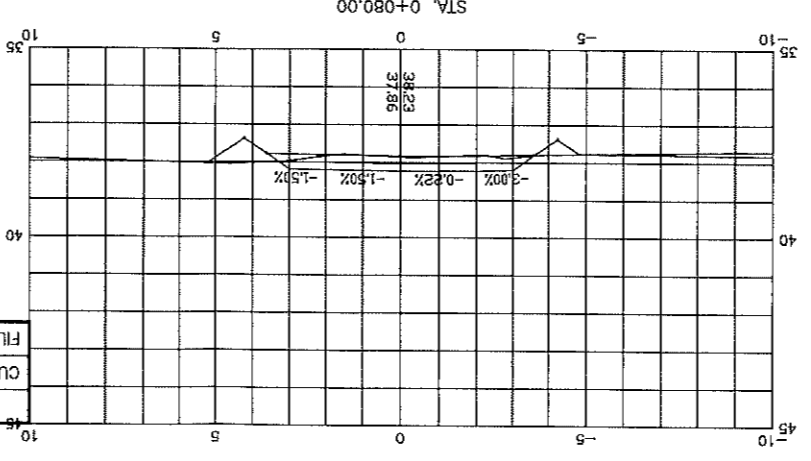
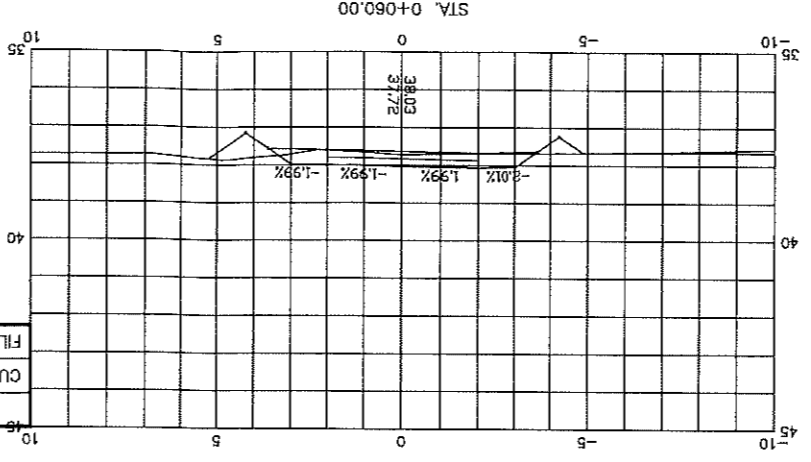
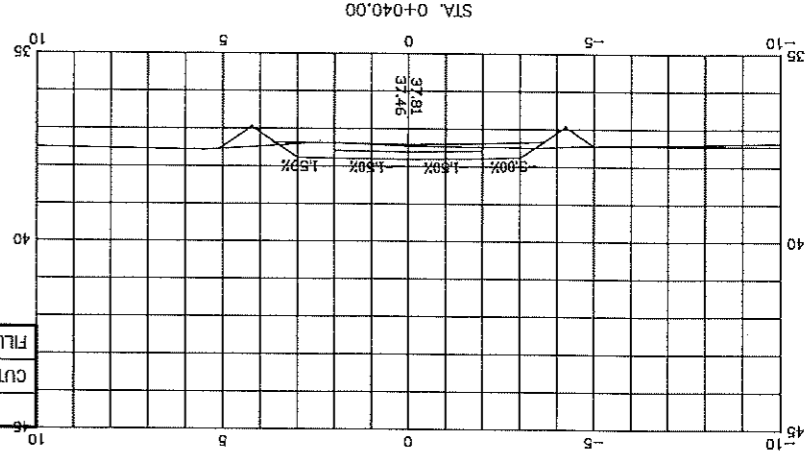
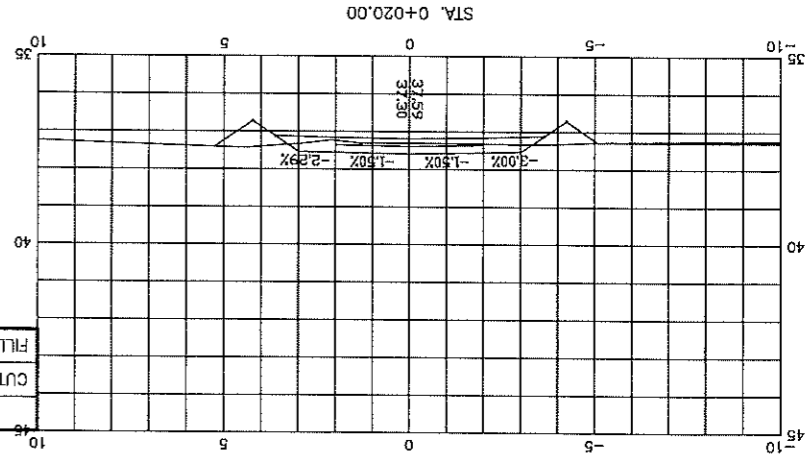
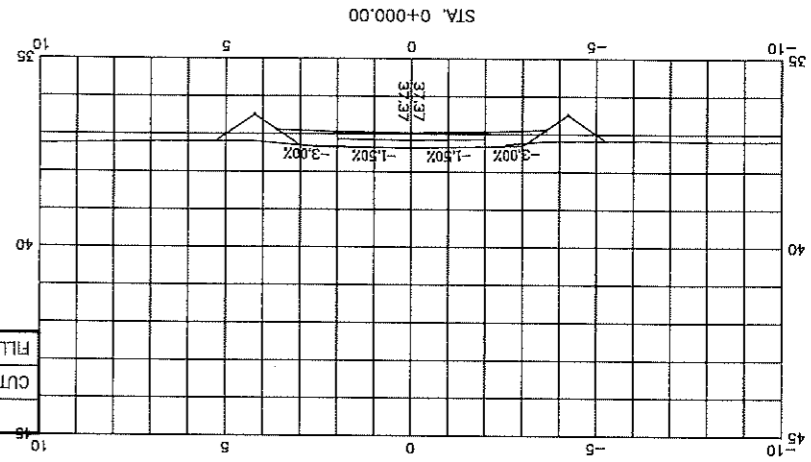
SURVEYED BY: **DONALD A. RELLO**
 ENGINEER I
 DESIGNED & PREPARED BY: **JOSEPH RYAN B. REDOLOSO**
 ENGINEER III

REVIEWED BY: **JOSEPH R. GONZALES**
 ENGINEER III
 Planning and Programming Division Head

RECOMMENDING APPROVAL: **ANGELIE R. GELLA**
 PGADH - Assistant Provincial Engineer
 OIC - Provincial Engineer
 (As per Memo, Order No. 22-2023)

APPROVED BY: **YVONNE RONA CAGAS**
 Provincial Governor

12
13





REPUBLIC OF THE PHILIPPINES
 PROVINCIAL ENGINEER'S OFFICE
 SAN AGUSTIN, DIGOS CITY, DAVAO DEL SUR

PROJECT TITLE: IMPROVEMENT OF FARM TO MARKET ROAD (FMR)
 LOCATION: HARADA BUTAI, SULOP, DAVAO DEL SUR

DESIGNED & PREPARED BY: **JOSEPH RYAN B. REDOLOSO**
 ENGINEER II
 SURVEYED BY: **DONALD A. RELLO**
 ENGINEER I

REVIEWED BY: **JOSEPH R. GONZALES**
 ENGINEER III
 Planning and Programming Division Head

RECOMMENDING APPROVAL: **ANGELIE R. GUYA**
 PGADH - Assistant Provincial Engineer
 OIC - Provincial Engineer
 (As per Memo, Order No. 22-2023)

APPROVED BY: **YVONNE RONA CAGAS**
 Provincial Governor

13
13

